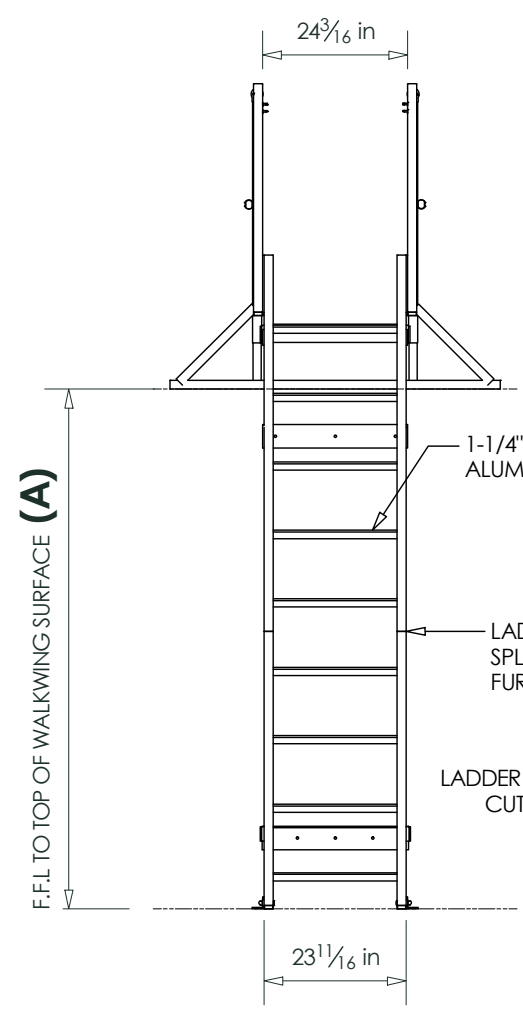
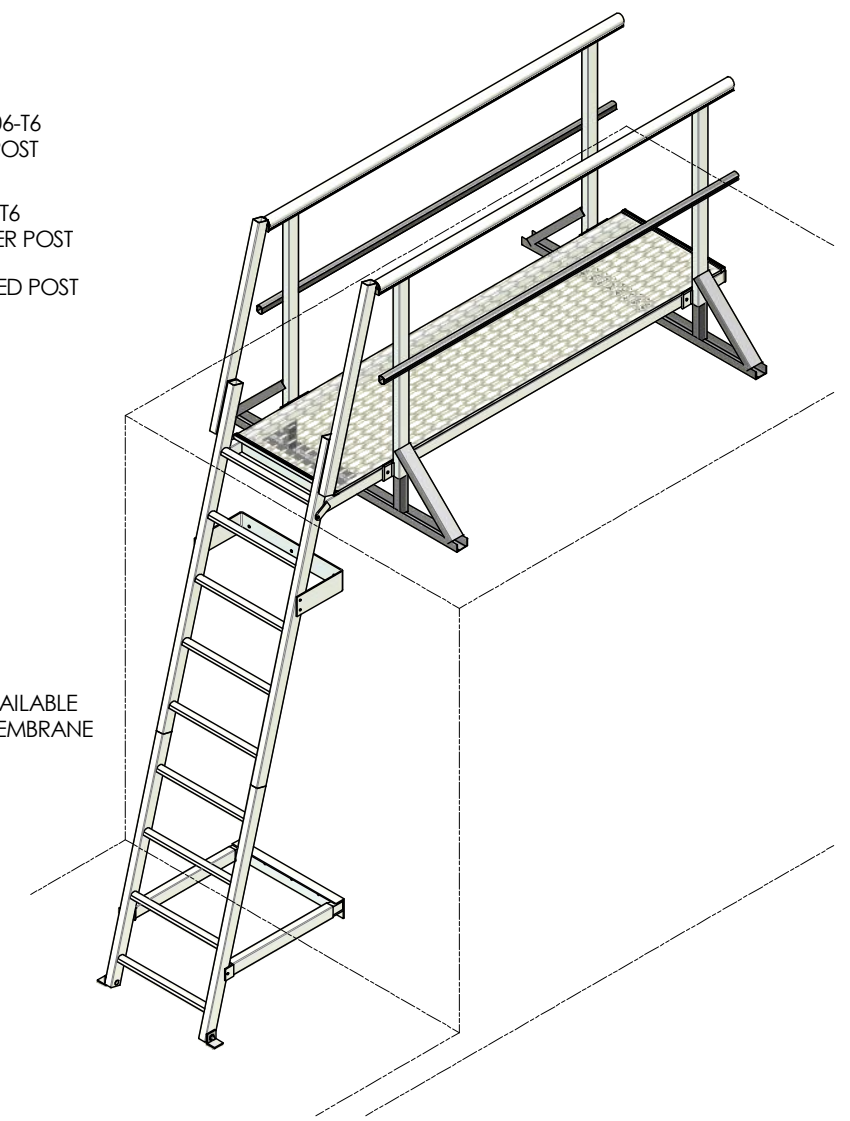
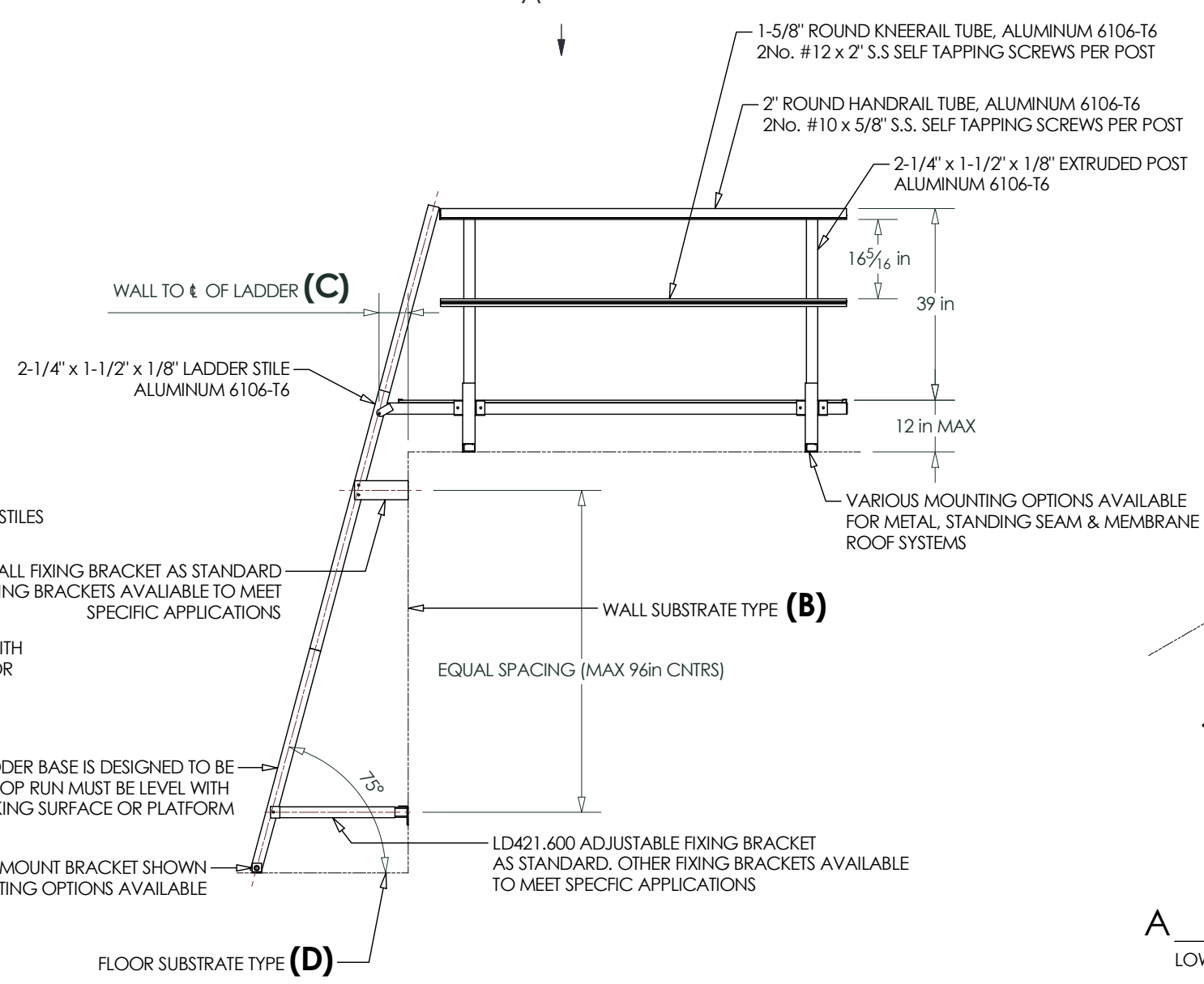


PROJECT REF: _____
 CONTRACTOR: _____
 APPROVED BY: _____
 SIGN HERE: _____

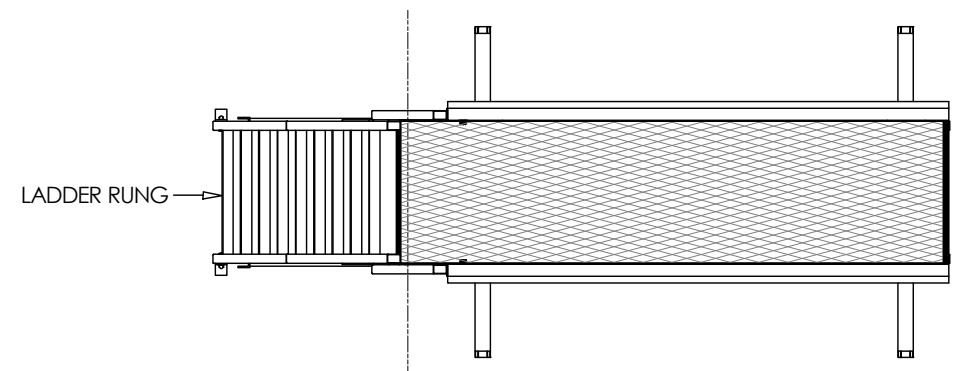


FRONT ELEVATION (1 / 32)

AVAILABLE LADDER KITS	
CODE	HEIGHTS UP TO
RL23.047	47" (3' 11")
RL23.94	94" (7' 10")
RL23.141	141" (11' 9")
RL23.188	188" (15' 8")
RL23.234	234" (19' 6")
RL23.283	283" (23' 7")

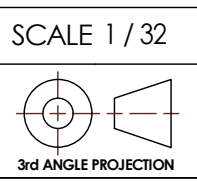


- A LOWER LEVEL TO UPPER LEVEL WALKING/WORKING HEIGHT
- B WALL SUBSTRATE TYPE (I.E. BRICK, CONCRETE BLOCK, METAL SLIDING, ETC)
- C WALL TO CENTRELINE OF LADDER. OSHA 1910.23(D)(2) STATES THAT THE DISTANCE FROM THE CENTRELINE OF THE RUNG TO THE NEAREST PERMANENT OBJECT SHALL NOT BE LESS THAN 7". OSHA ALSO REQUIRES A PLATFORM IF THE DISTANCE EXCEEDS 12". PLEASE STATE WIDTH OF ANY GUTTER OR OBJECT (E.G. GUTTER 9" WIDE). FIXFAST WILL ENSURE THAT THE CORRECT BRACKET IS PROVIDED
- D FLOOR SUBSTRATE TYPE (I.E. ROOF MEMBRANE, CONCRETE, METAL, ROOF, ETC.)



AUX A (1 / 32)

DRN: RP	DATE: 7/11/2018
CHK: RP	DATE: 7/11/2018
APP: RP	DATE: 7/11/2018



SCALE 1 / 32	
DIMENSION TOLERANCES UNLESS NOTED OTHERWISE	
X	± 1mm
X.X	± 0.25mm
X.XX	± 0.1mm
ANGLE	± 1°



6210S INDIANAPOLIS ROAD
WHITESTOWN IN 46075 USA
T +1 317 769 7710
F +1 317 769 5560
E sales@fixfastusa.com
W www.fixfastusa.com

DESCRIPTION ANGLED LADDER WITH 8ft WALKWAY KIT		SHT # 1/1
MATERIAL	FINISH	SIZE B
DWG No. RL23	FAB No.	REV 1

1	07/11/2018	SW	RP	ISSUED FOR RELEASE
REV	DATE	BY	APP	COMMENTS