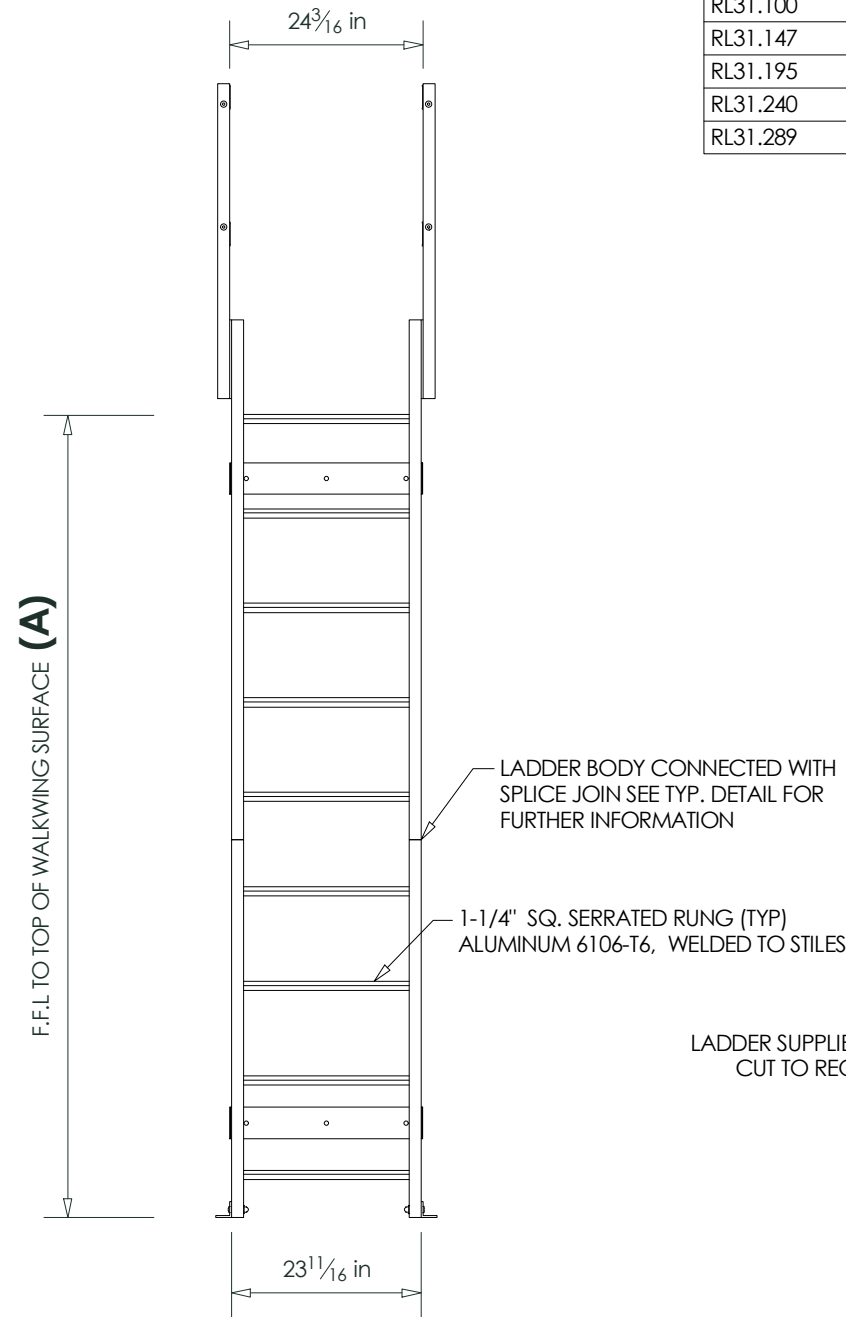


PROJECT REF: _____
 CONTRACTOR: _____
 APPROVED BY: _____
 SIGN HERE: _____

AVAILABLE LADDER KITS	
CODE	HEIGHTS UP TO
RL31.53	53" (4' 5")
RL31.100	100" (8' 4")
RL31.147	147" (12' 3")
RL31.195	195" (16' 3")
RL31.240	240" (20')
RL31.289	289" (24' 1")

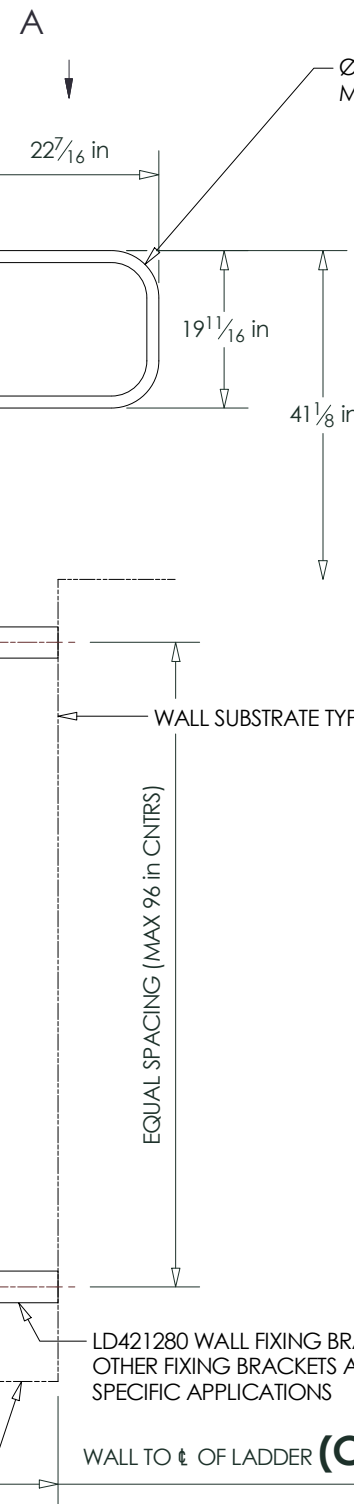


FRONT ELEVATION (1 / 24)

2-1/4" x 1-1/2" x 1/8" LADDER STILE
 ALUMINUM 6106-T6

LADDER SUPPLIED IN KIT FORM. LADDER BASE IS DESIGNED TO BE CUT TO REQ. HEIGHT ON-SITE. TOP RUN MUST BE LEVEL WITH WALKING/WORKING SURFACE OR PLATFORM

LD419S FLOOR MOUNT BRACKET SHOWN VARIOUS MOUNTING OPTIONS AVAILABLE

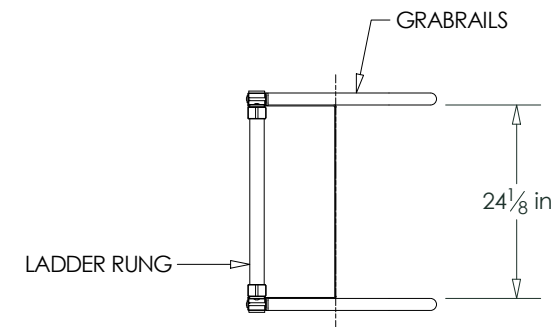


Ø2" TUBULAR GRABRAIL, ALUMINUM 6106-T6
 MOUNT WITH 2No. 5/16" x 3" S.S. BOLTS/SIDE

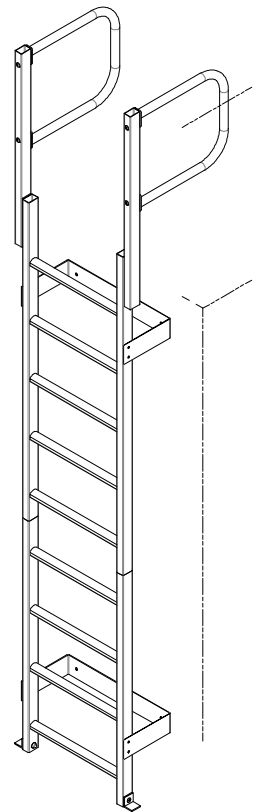
WALL SUBSTRATE TYPE (B)

EQUAL SPACING (MAX 96 in CNTRS)

WALL TO $\frac{1}{2}$ OF LADDER (C)

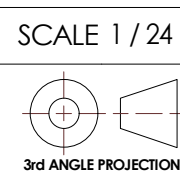


AUX A (1 / 24)



- A** _____
LOWER LEVEL TO UPPER LEVEL WALKING/WORKING HEIGHT
- B** _____
WALL SUBSTRATE TYPE (I.E. BRICK, CONCRETE BLOCK, METAL SLIDING, ETC)
- C** _____
WALL TO CENTRELINE OF LADDER. OSHA 1910.23(D)(2) STATES THAT THE DISTANCE FROM THE CENTRELINE OF THE RUNG TO THE NEAREST PERMANENT OBJECT SHALL NOT BE LESS THAN 7". OSHA ALSO REQUIRES A PLATFORM IF THE DISTANCE EXCEEDS 12". PLEASE STATE WIDTH OF ANY GUTTER OR OBJECT (E.G. GUTTER 9" WIDE). FIXFAST WILL ENSURE THAT THE CORRECT BRACKET IS PROVIDED
- D** _____
FLOOR SUBSTRATE TYPE (I.E. ROOF MEMBRANE, CONCRETE, METAL, ROOF, ETC.)

DRN:	DATE:
RP	9/10/2017
CHK:	DATE:
WL	2/11/2017
APP:	DATE:
RP	2/11/2017



SCALE 1 / 24		DIMENSION TOLERANCES UNLESS NOTED OTHERWISE	
X	± 1mm		
X.X	± 0.25mm		
X.XX	± 0.1mm		
ANGLE	± 1°		



6210S INDIANAPOLIS ROAD
 WHITESTOWN IN 46075 USA
 T +1 317 769 7710
 F +1 317 769 5560
 E sales@fixfastusa.com
 W www.fixfastusa.com

DESCRIPTION		SHT #
VERTICAL LADDER WITH GRABRAILS		1 / 1
MATERIAL	FINISH	SIZE
		B
DWG No.	FAB No.	REV
RL31		1

REV	DATE	BY	APP	COMMENTS
1	3/11/2017	RP	WL	ISSUED FOR RELEASE