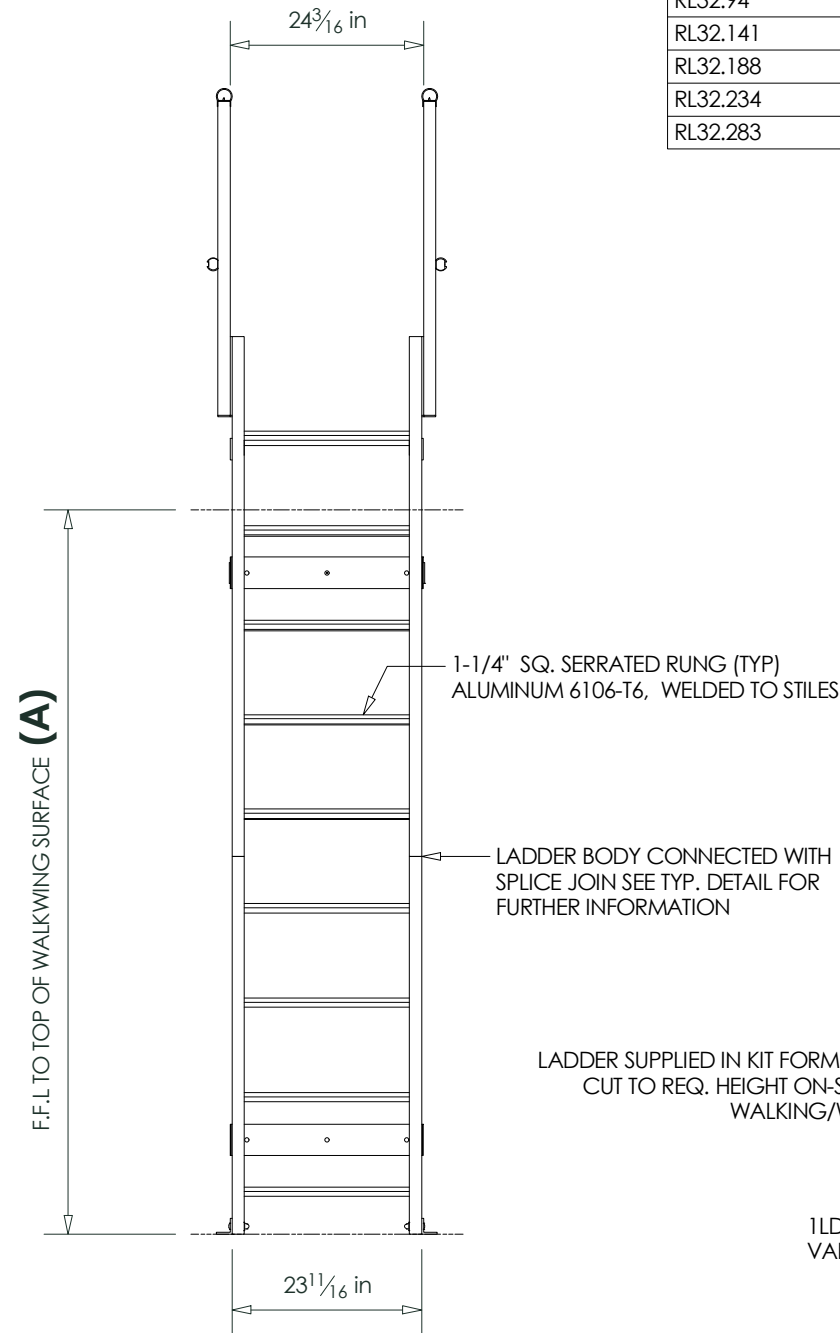


PROJECT REF: \_\_\_\_\_  
 CONTRACTOR: \_\_\_\_\_  
 APPROVED BY: \_\_\_\_\_  
 SIGN HERE: \_\_\_\_\_

| AVAILABLE LADDER KITS |               |
|-----------------------|---------------|
| CODE                  | HEIGHTS UP TO |
| RL32.47               | 47" (3' 11")  |
| RL32.94               | 94" (7' 10")  |
| RL32.141              | 141" (11' 9") |
| RL32.188              | 188" (15' 8") |
| RL32.234              | 234" (19' 6") |
| RL32.283              | 283" (23' 7") |



FRONT ELEVATION ( 1 / 24 )

2-1/4" x 1-1/2" x 1/8" LADDER STILE  
 ALUMINUM 6106-T6

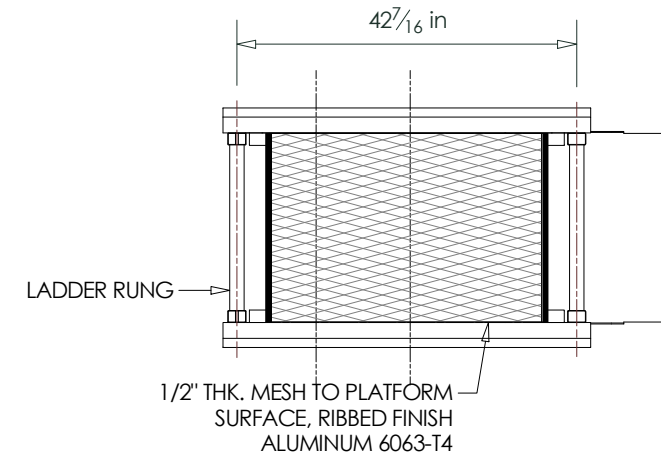
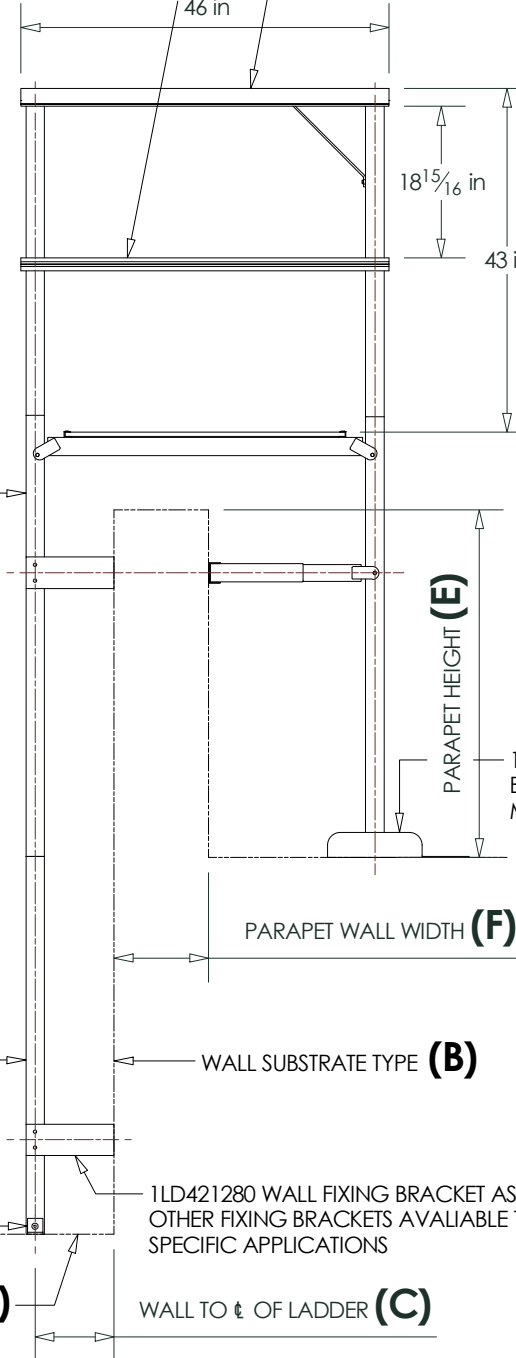
EQUAL SPACING (MAX 96 in CNTRS)

LADDER SUPPLIED IN KIT FORM. LADDER BASE IS DESIGNED TO BE CUT TO REQ. HEIGHT ON-SITE. TOP RUN MUST BE LEVEL WITH WALKING/WORKING SURFACE OR PLATFORM

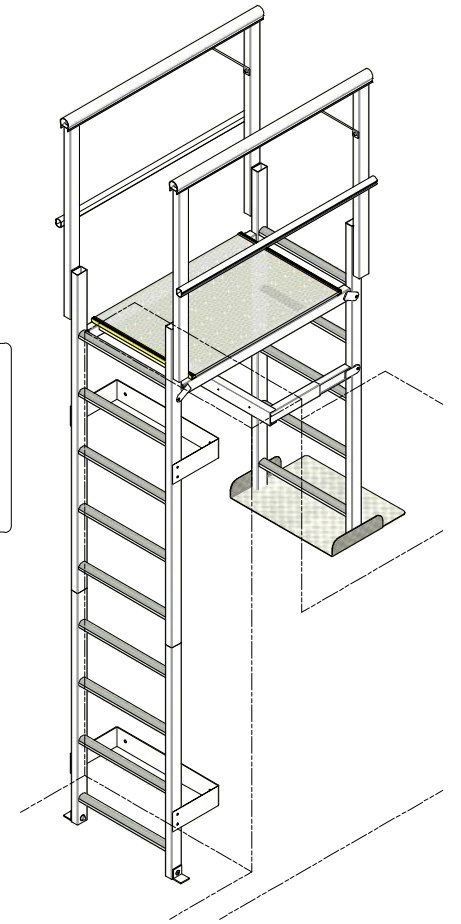
1LD419S FLOOR MOUNT BRACKET SHOWN  
 VARIOUS MOUNTING OPTIONS AVAILABLE

FLOOR SUBSTRATE TYPE (D)

1-5/8" ROUND KNEERAIL TUBE, ALUMINUM 6106-T6  
 2No. #12 x 2" S.S. SELF TAPPING SCREWS PER POST  
 2" ROUND HANDRAIL TUBE, ALUMINUM 6106-T6  
 2No. #10 x 5/8" S.S. SELF TAPPING SCREWS PER POST

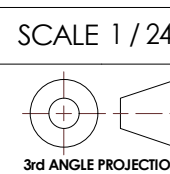


AUX A ( 1 / 24 )



- A** \_\_\_\_\_  
LOWER LEVEL TO UPPER LEVEL WALKING/WORKING HEIGHT
- B** \_\_\_\_\_  
WALL SUBSTRATE TYPE (I.E. BRICK, CONCRETE BLOCK, METAL SLIDING, ETC)
- C** \_\_\_\_\_  
WALL TO CENTRELINE OF LADDER. OSHA 1910.23(D)(2) STATES THAT THE DISTANCE FROM THE CENTRELINE OF THE RUNGS TO THE NEAREST PERMANENT OBJECT SHALL NOT BE LESS THAN 7". OSHA ALSO REQUIRES A PLATFORM IF THE DISTANCE EXCEEDS 12". PLEASE STATE WIDTH OF ANY GUTTER OR OBJECT (E.G. GUTTER 9" WIDE). FIXFAST WILL ENSURE THAT THE CORRECT BRACKET IS PROVIDED
- D** \_\_\_\_\_  
FLOOR SUBSTRATE TYPE (I.E. ROOF MEMBRANE, CONCRETE, METAL, ROOF, ETC.)
- E** \_\_\_\_\_  
INTERNAL PARAPET WALL HEIGHT
- F** \_\_\_\_\_  
PARAPET WALL WIDTH

|      |            |
|------|------------|
| DRN: | DATE:      |
| RP   | 9/10/2017  |
| CHK: | DATE:      |
| WL   | 29/11/2017 |
| APP: | DATE:      |
| RP   | 29/11/2017 |



|   |          |
|---|----------|
| SCALE 1 / 24                                |          |
| DIMENSION TOLERANCES UNLESS NOTED OTHERWISE |          |
| X   | ± 1mm    |
| X.X   | ± 0.25mm |
| X.XX  | ± 0.1mm  |
| ANGLE                                       | ± 1°     |



Maximum safety. Minimum fuss.

6210S INDIANAPOLIS ROAD  
 WHITESTOWN IN 46075 USA  
 T +1 317 769 7710  
 F +1 317 769 5560  
 E sales@fixfastusa.com  
 W www.fixfastusa.com

|   |         |       |
|---|---------|-------|
| DESCRIPTION                               |         | SHT # |
| VERTICAL LADDER WITH 3ft PARAPET PLATFORM |         | 1 / 1 |
| MATERIAL                                  | FINISH  | SIZE  |
|   |         | B     |
| DWG No.                                   | FAB No. | REV   |
| RL32                                      |         | 1     |

|     |            |    |     |                    |
|-----|------------|----|-----|--------------------|
| 1   | 29/11/2017 | RP | WL  | ISSUED FOR RELEASE |
| REV | DATE       | BY | APP | COMMENTS           |