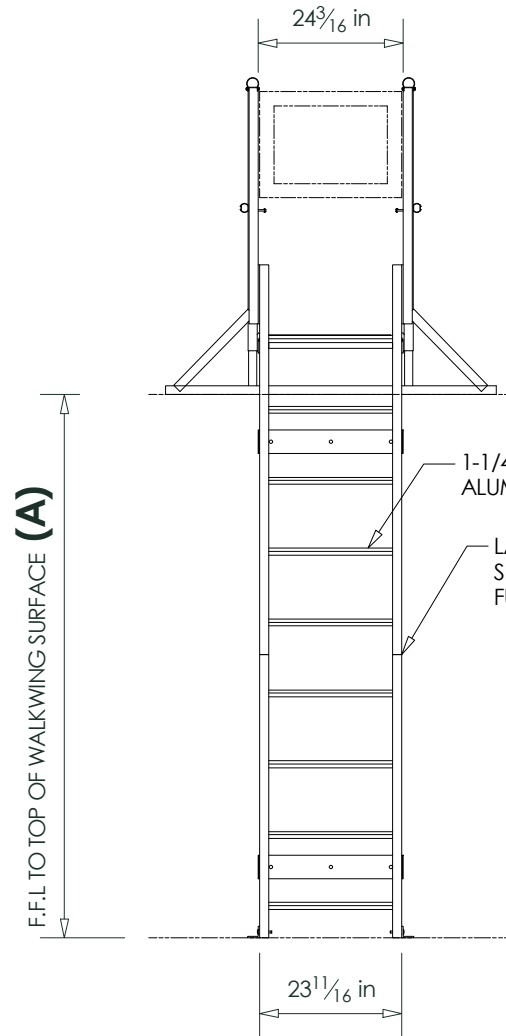
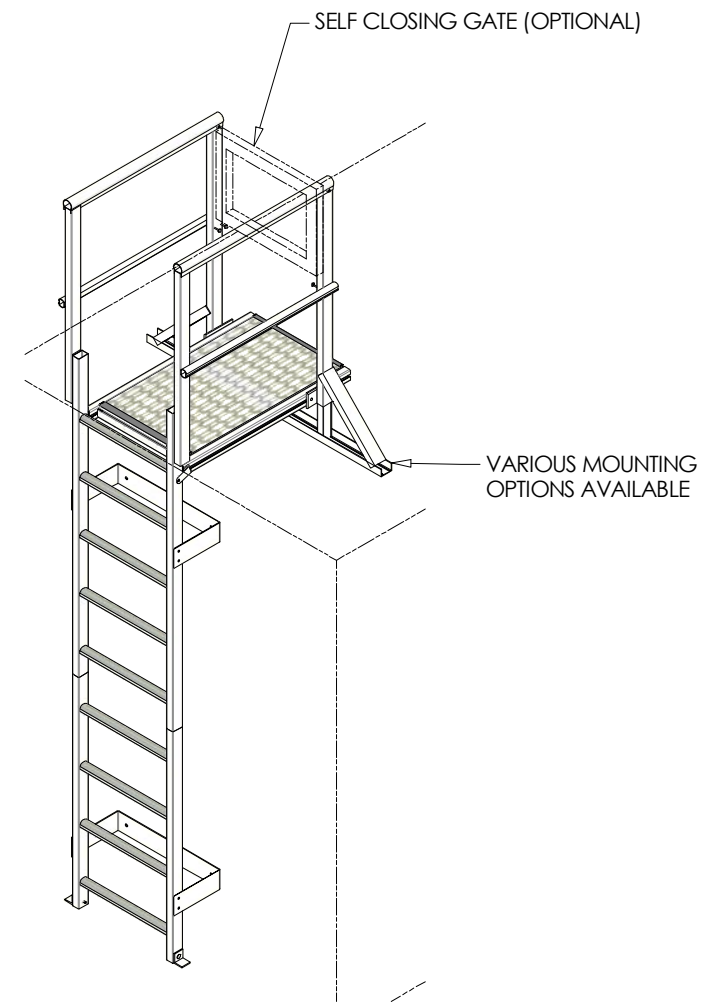
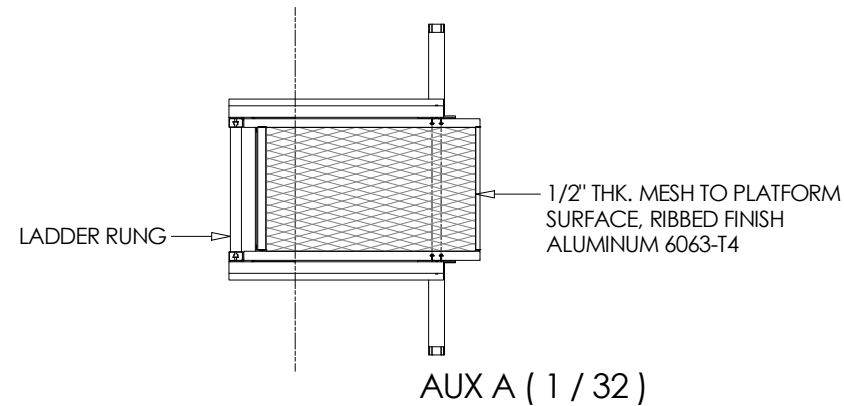
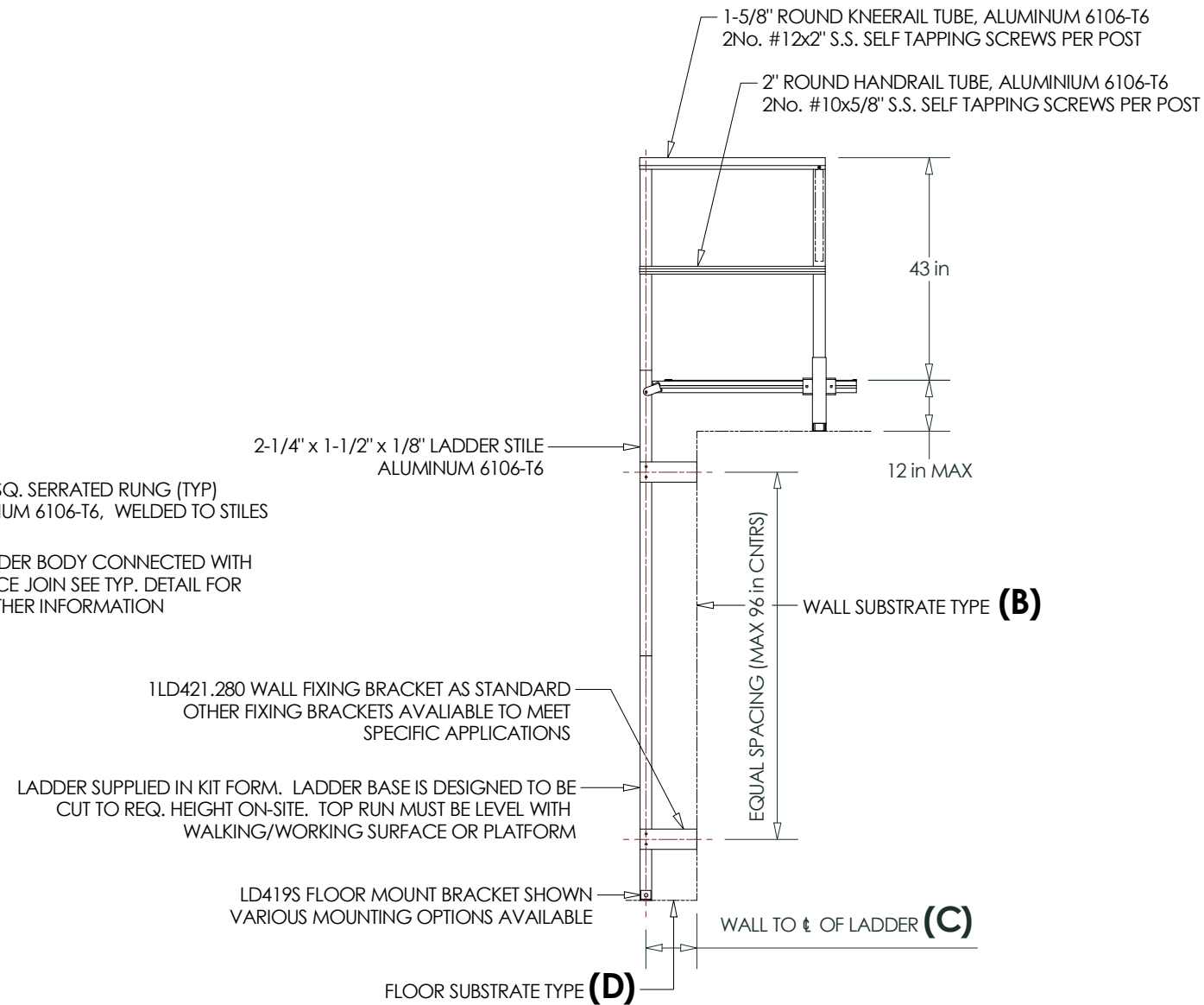


PROJECT REF: \_\_\_\_\_  
 CONTRACTOR: \_\_\_\_\_  
 APPROVED BY: \_\_\_\_\_  
 SIGN HERE: \_\_\_\_\_



FRONT ELEVATION ( 1 / 32 )

AVAILABLE LADDER KITS	
CODE	HEIGHTS UP TO
RL35.047	47" (3' 11")
RL35.094	94" (7' 10")
RL35.141	141" (11' 9")
RL35.188	188" (15' 8")
RL35.234	234" (19' 6")
RL35.283	283" (23' 7")



- A** \_\_\_\_\_  
LOWER LEVEL TO UPPER LEVEL WALKING/WORKING HEIGHT
- B** \_\_\_\_\_  
WALL SUBSTRATE TYPE (I.E. BRICK, CONCRETE BLOCK, METAL SLIDING, ETC)
- C** \_\_\_\_\_  
WALL TO CENTRELINE OF LADDER. OSHA 1910.23(D)(2) STATES THAT THE DISTANCE FROM THE CENTRELINE OF THE RUNG TO THE NEAREST PERMANENT OBJECT SHALL NOT BE LESS THAN 7". OSHA ALSO REQUIRES A PLATFORM IF THE DISTANCE EXCEEDS 12". PLEASE STATE WIDTH OF ANY GUTTER OR OBJECT (E.G. GUTTER 9" WIDE). FIXFAST WILL ENSURE THAT THE CORRECT BRACKET IS PROVIDED
- D** \_\_\_\_\_  
FLOOR SUBSTRATE TYPE (I.E. ROOF MEMBRANE, CONCRETE, METAL, ROOF, ETC.)

REV	DATE	BY	APP	COMMENTS
2	11/04/2018	JP	WL	ADJ. DRWG NOTES
1	06/02/2018	RP	WL	ISSUED FOR RELEASE

DRN:	DATE:
RP	5/02/2018
CHK:	DATE:
WL	5/02/2018
APP:	DATE:
RP	5/02/2018

SCALE 1 / 32

3rd ANGLE PROJECTION

DIMENSION TOLERANCES UNLESS NOTED OTHERWISE	
X	± 1mm
X.X	± 0.25mm
X.XX	± 0.1mm
ANGLE	± 1°

6210S INDIANAPOLIS ROAD  
 WHITESTOWN IN 46075 USA  
 T +1 317 769 7710  
 F +1 317 769 5560  
 E sales@fixfastusa.com  
 W www.fixfastusa.com

Maximum safety. Minimum fuss.  
 THIS DRAWING REMAINS THE PROPERTY OF FIXFAST USA® AND MAY NOT BE CHANGED WITHOUT WRITTEN PERMISSION

DESCRIPTION		SHT #
VERTICAL LADDER WITH 3ft WALKWAY KIT		1 / 1
MATERIAL	FINISH	SIZE
		B
DWG No.	FAB No.	REV
RL35		2