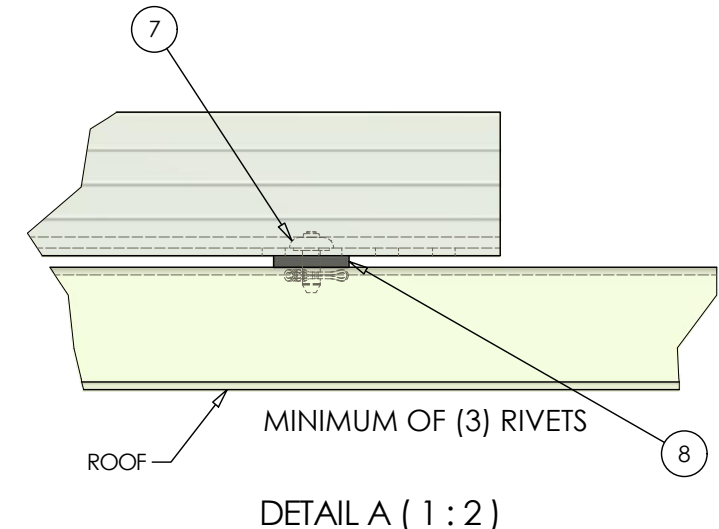
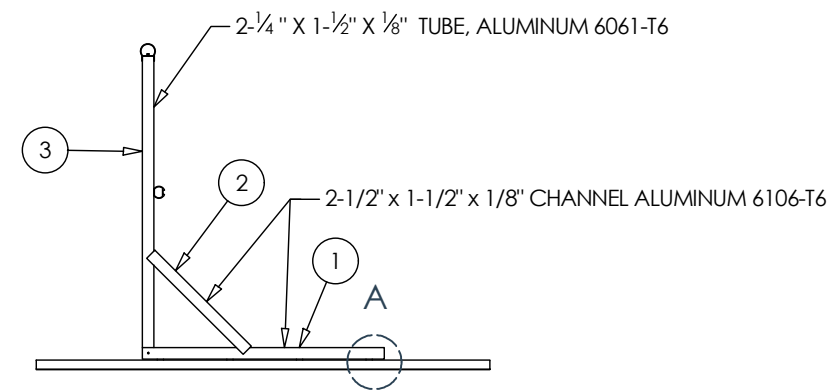
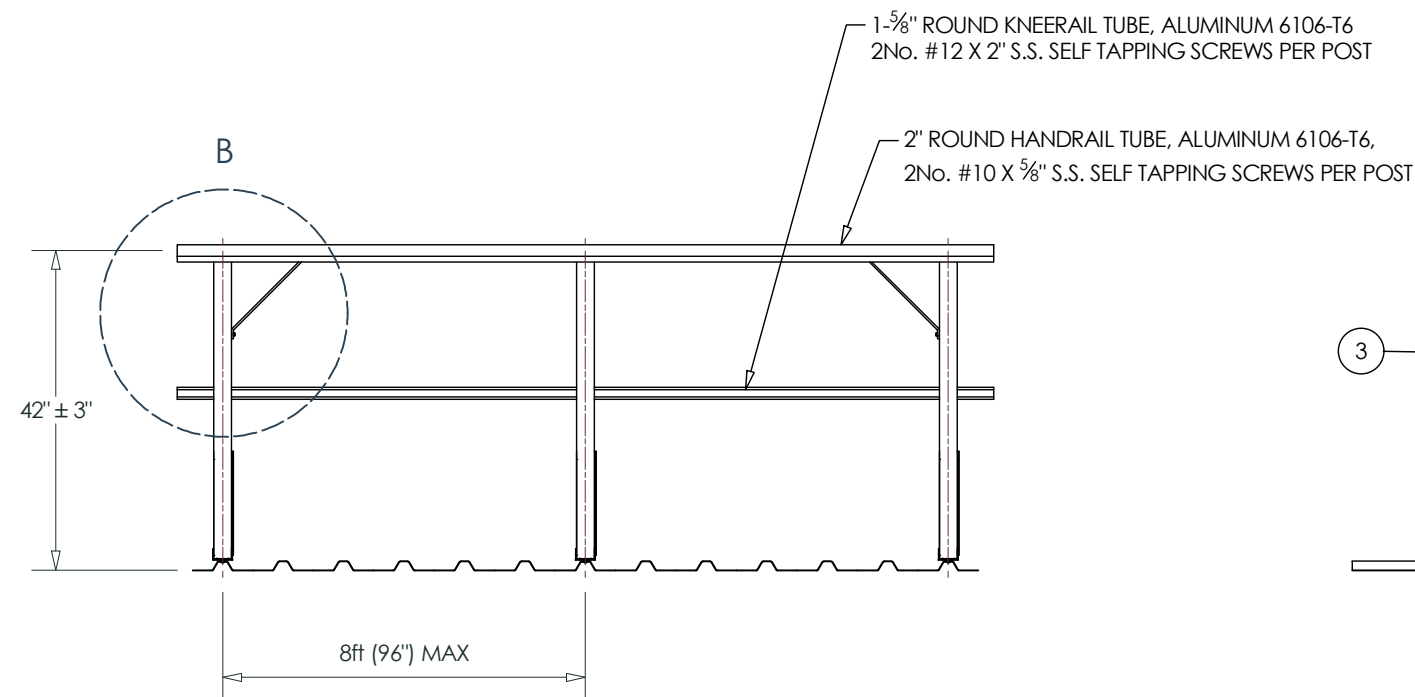
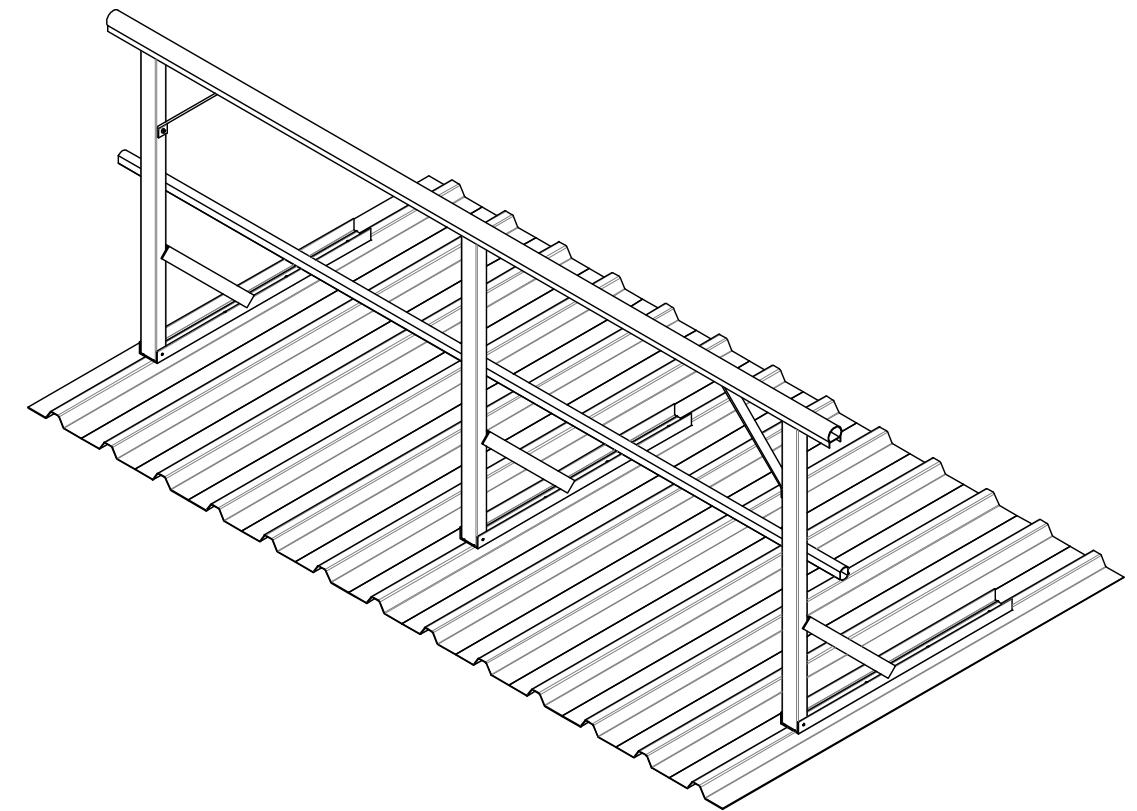
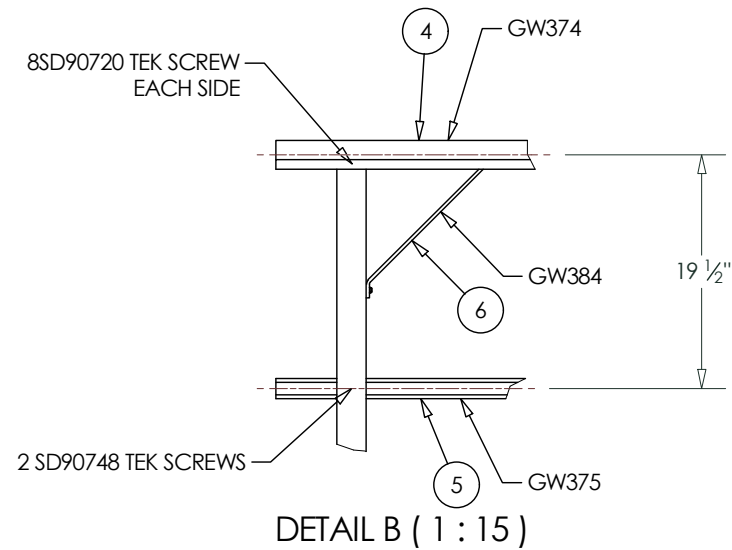


PARTS LIST		
ITEM	PART NUMBER	DESCRIPTION
1	AL729	CHANNEL
2	AL729	CHANNEL
3	AL766	TUBE
4	GW374	KATSAFE HANDRAIL TUBE
5	GW375	KATSAFE KNEERAIL TUBE
6	GW384	KATSAFE HANDRAIL BRACE
7	SD913	RIVET BULB TITE 6-6x 5
8	SD902	FOAM SEAL EPDM 20x20x3



**NOTES:**

1. ALL HARDWARE IS TO BE STAINLESS STEEL
2. INSTALLATION SHALL COMPLY WITH MANUFACTURER INSTRUCTIONS & OSHA REGULATIONS
3. WHERE HANDRAIL & KNEERAIL ARE JOINED, AN INTERNAL SPLICE IS REQ (SEE DWG FFUSA-1013)
4. ALL CORNERS ARE TO BE JOINED BY KATSAFE ADJUSTABLE HANDRAIL & KNEERAIL ELBOWS (SEE DWG FFUSA-1013)
5. ALL EXPOSED HANDRAIL & KNEERAIL ENDS TO BE TERMINATED WITH END CAPS OR CLOSURE BENDS.

PROJECT REF:	_____
CONTRACTOR:	_____
APPROVED BY:	_____
SIGN HERE:	_____

REV	DATE	BY	APP	COMMENTS
1	4/02/2019	SW	RP	NEW RELEASE

DRN: SW	DATE: 15/11/2018	SCALE 1 / 25	DIMENSION TOLERANCES UNLESS NOTED OTHERWISE
CHK: RP	DATE: 19/11/2018		
APP: RP	DATE: 19/11/2018		
3rd ANGLE PROJECTION		X ± 1mm	
		X.X ± 0.25mm	
		X.XX ± 0.1mm	
		ANGLE ± 1°	

**FIXFASTUSA**

6210S INDIANAPOLIS ROAD  
WHITESTOWN IN 46075 USA  
T +1 317 769 7710  
F +1 317 769 5560  
E sales@fixfastusa.com  
W www.fixfastusa.com

Maximum safety. Minimum fuss.

THIS DRAWING REMAINS THE PROPERTY OF FIXFAST USA® AND MAY NOT BE CHANGED WITHOUT WRITTEN PERMISSION

DESCRIPTION	KATSAFE ROOF GUARDRAIL FOR STANDING RIVET FIXED ROOF SYSTEMS		SHT #	1 / 1
MATERIAL		FINISH	SIZE	B
DWG No.	FFUSA-1034	FAB No.	REV	1