

PROJECT REF: _____
 CONTRACTOR: _____
 APPROVED BY: _____
 SIGN HERE: _____

1	10/04/2017	SW	RP	NEW RELEASE FOR COMMENT
REV	DATE	BY	APP	COMMENTS

DRN:	DATE:
SW	6/02/2019
CHK:	DATE:
RP	6/02/2019
APP:	DATE:
RP	6/02/2019

SCALE 1 : 15

3rd ANGLE PROJECTION

DIMENSION TOLERANCES UNLESS NOTED OTHERWISE	
X	± 1mm
X.X	± 0.25mm
X.XX	± 0.1mm
ANGLE	± 1°

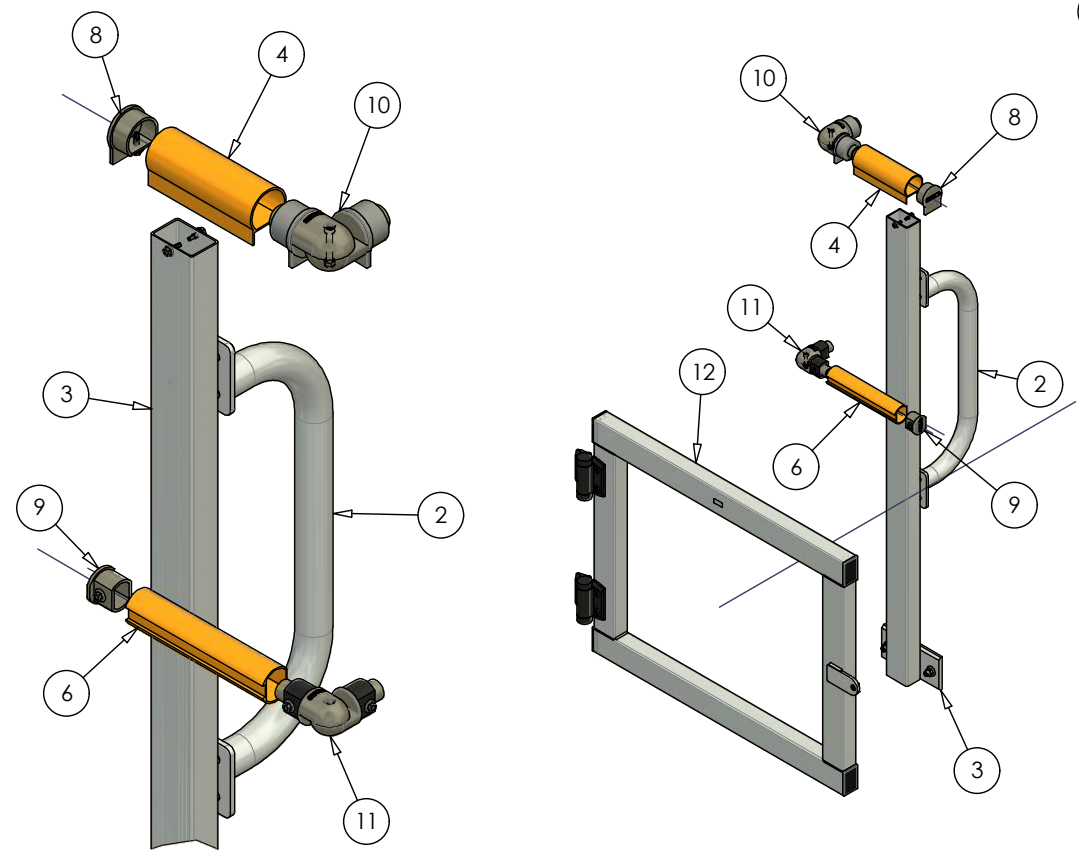
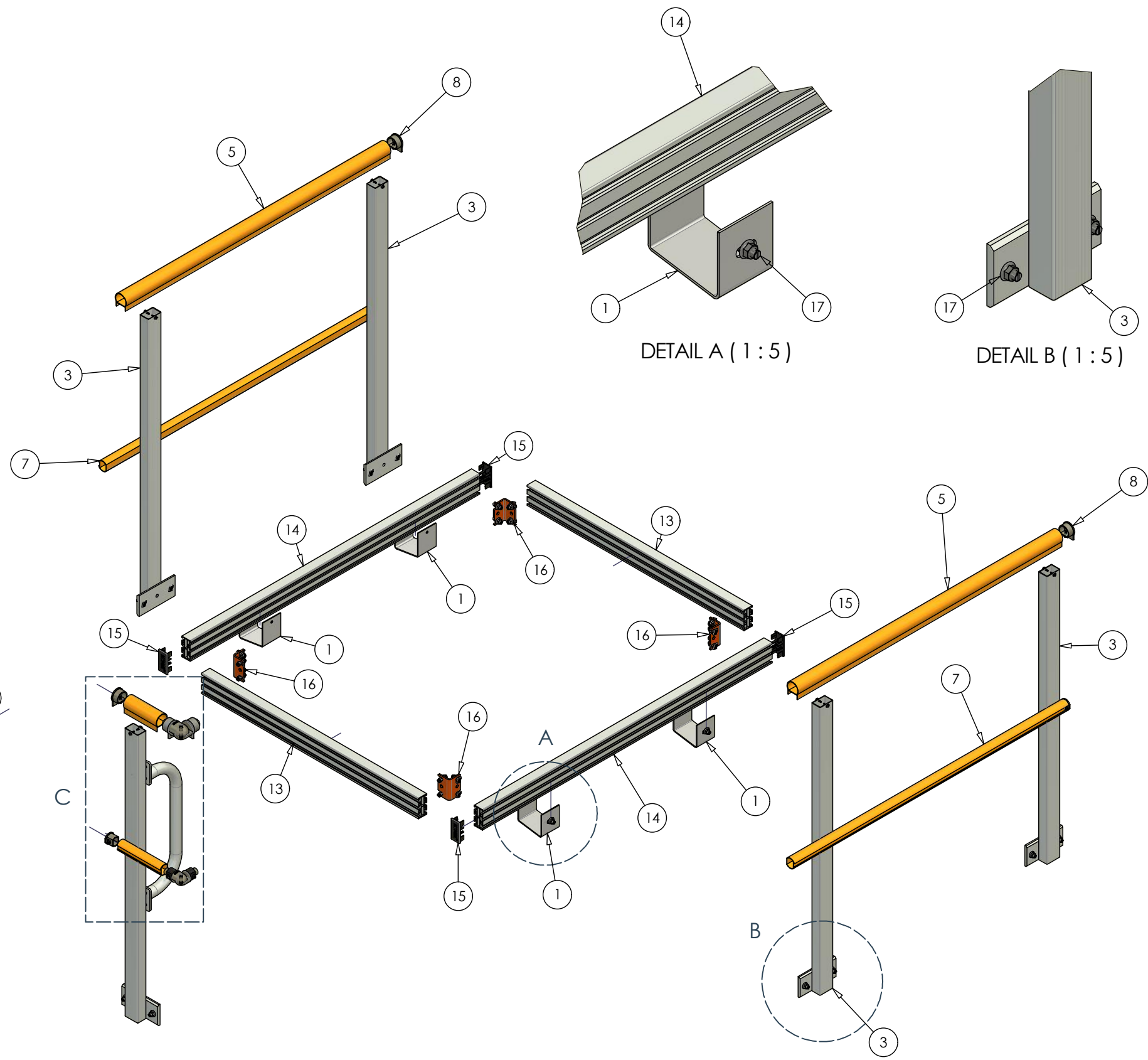
FIXFASTUSA

6210S INDIANAPOLIS ROAD
 WHITESTOWN IN 46075 USA
 T +1 317 769 7710
 F +1 317 769 5560
 E sales@fixfastusa.com
 W www.fixfastusa.com

Maximum safety. Minimum fuss.
 THIS DRAWING REMAINS THE PROPERTY OF FIXFAST USA® AND MAY NOT BE CHANGED WITHOUT WRITTEN PERMISSION

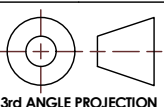
DESCRIPTION KATTGUARD ROOF HATCH GUARDRAIL SYSTEM		SHT # 1 / 2
MATERIAL	FINISH	SIZE B
DWG No. KG3036	FAB No.	REV 1

ITEM	PART NUMBER	QTY	LENGTH	DESCRIPTION
1	-	4		KATTHATCH SS BRACKET
2	GW342	1		SENTRY GRABRAILS
3	GW351S.USA	6		SENTRY SIDE MOUNT GUARDRAIL POST
4	GW374	2	147	SENTRY HANDRAIL TUBE
5	GW374	2	1183	SENTRY HANDRAIL TUBE
6	GW375	2	192	SENTRY KNEERAIL TUBE
7	GW375	2	1229	SENTRY KNEERAIL TUBE
8	GW378	4		SENTRY HANDRAIL END CAP
9	GW379	4		SENTRY KNEERAIL END CAP
10	GW382	2		SENTRY HANDRAIL ELBOW SET
11	GW383	2		SENTRY KNEERAIL ELBOW SET
12	GW390.700	1		SENTRY SELF-CLOSING GATE & HINGE SET
13	KB001.6000	2	970	KOMBI 80
14	KB001.6000	2	1295	KOMBI 80
15	KB092.80	4		KOMBI 80 END CAP
16	KB013.80	4		KOMBI 80 ANGLE BRACKET KIT
17	KB005	16		KOMBI M10x25 TEE BOLT & NUT SET



DETAIL C (1:7.5)

REV	DATE	BY	APP	COMMENTS
1	10/04/2017	SW	RP	NEW RELEASE FOR COMMENT

DRN: SW	DATE: 6/02/2019	SCALE 1:25  3rd ANGLE PROJECTION	DIMENSION TOLERANCES UNLESS NOTED OTHERWISE X ± 1mm X.X ± 0.25mm X.XX ± 0.1mm ANGLE ± 1°	 6210S INDIANAPOLIS ROAD WHITESTOWN IN 46075 USA T +1 317 769 7710 F +1 317 769 5560 E sales@fixfastusa.com W www.fixfastusa.com	DESCRIPTION KATTGUARD ROOF HATCH GUARDRAIL SYSTEM		SHT # 2/2
CHK: RP	DATE: 6/02/2019				MATERIAL	FINISH	SIZE B
APP: RP	DATE: 6/02/2019				DWG No. KG3036	FAB No.	REV 1