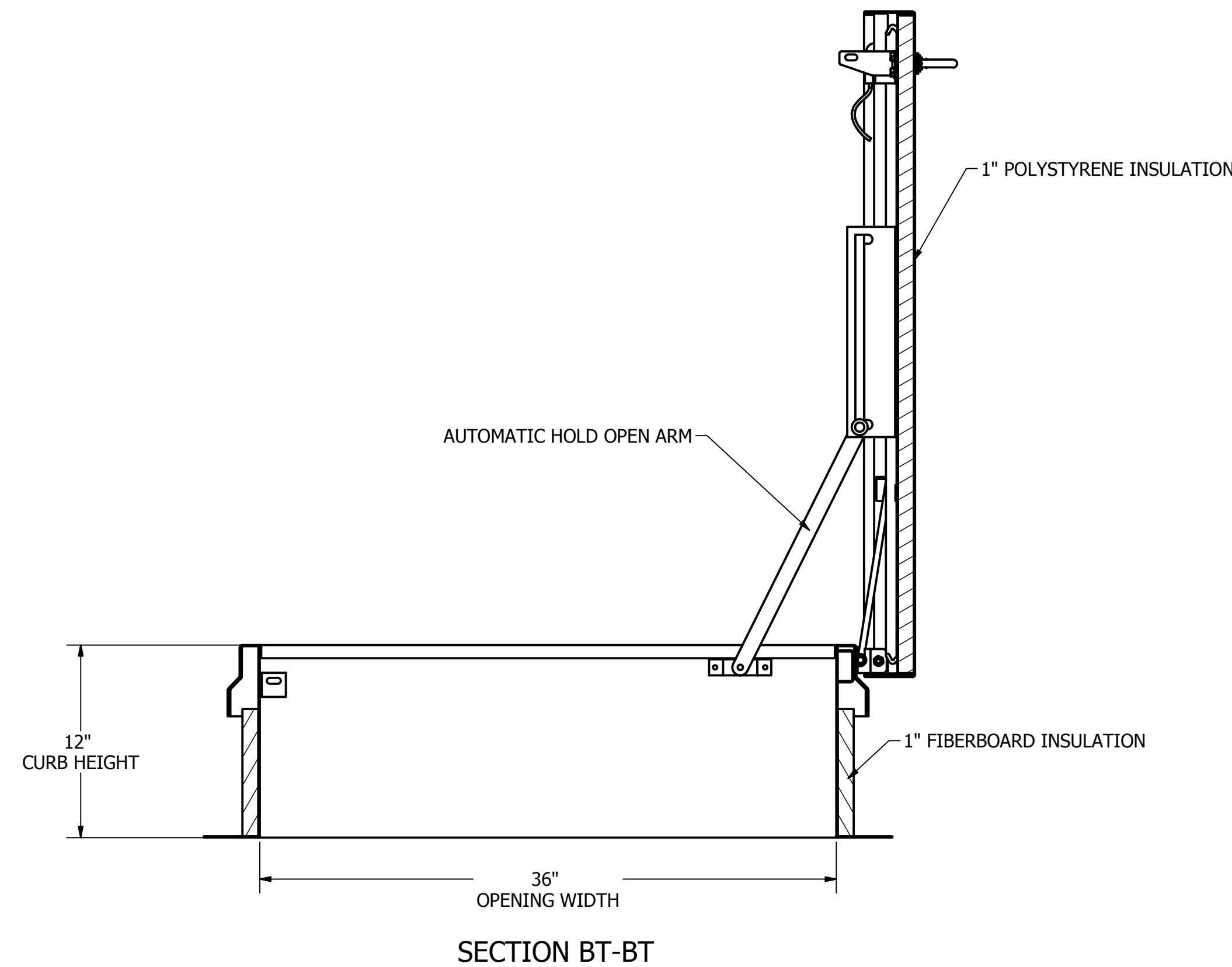
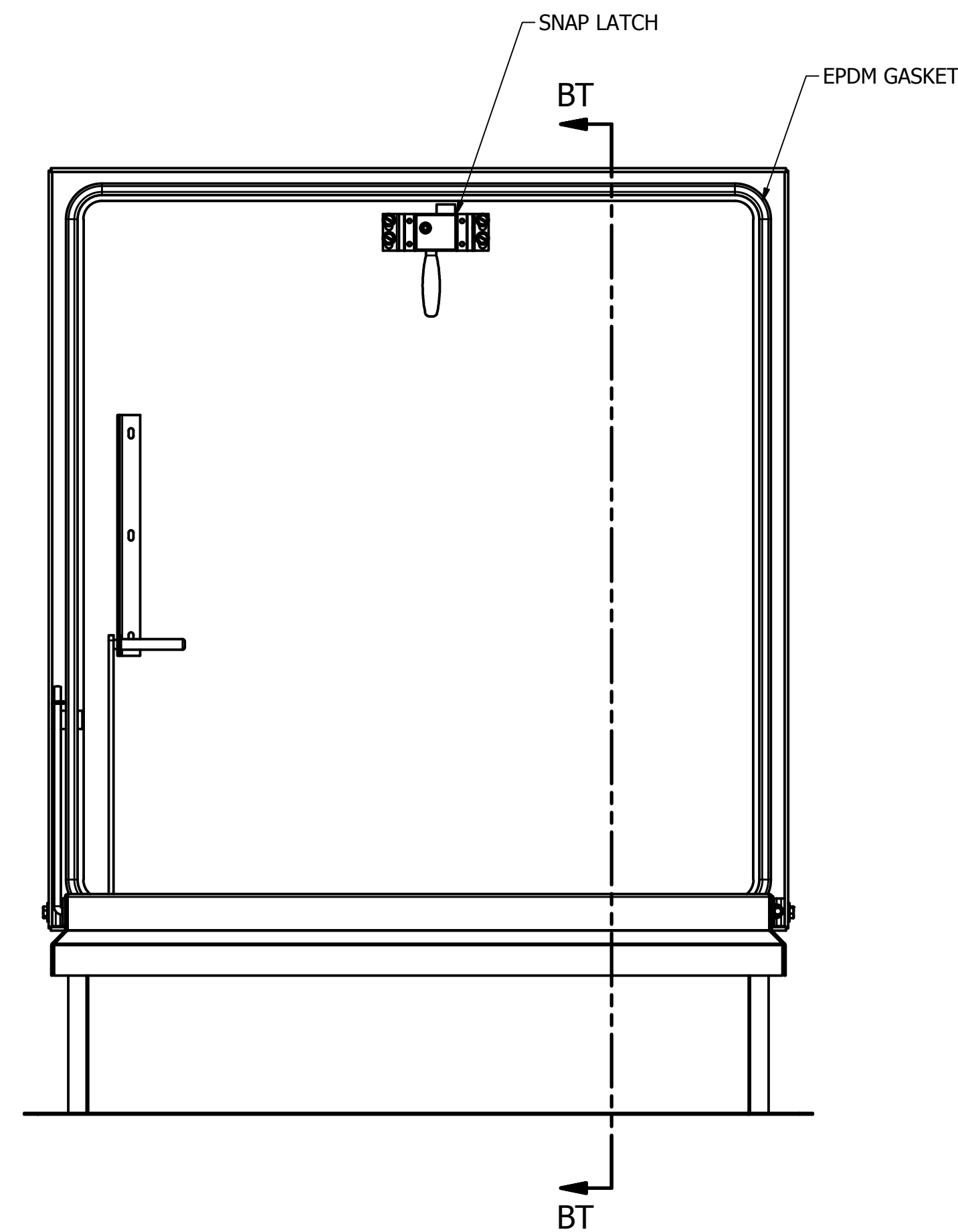


- NOTES:  
 SIZE: M-3'0"X3'0"  
 1) 70psf COVER LIVE LOAD RATING  
 2) HATCH PAINTED WHITE  
 3) MATERIALS:  
 14ga GALVANIZED, COVER  
 14ga GALVANIZED, CURB  
 14ga GALVANIZED, COUNTER FLASHING  
 22ga GALVANIZED, COVER LINER



DRAWN	CMD	2/23/2015	FIXFAST USA www.fixfastusa.com	
CHECKED			3921 Perry Boulevard Whitestown, IN 46075 Ph: 888 637 7872	
QA			TITLE	
MFG			KH3636 36"x36"	
APPROVED			SIZE	REV
			D	--
			DWG NO	
			3501-410-9	
			SCALE	SHEET 1 OF 1