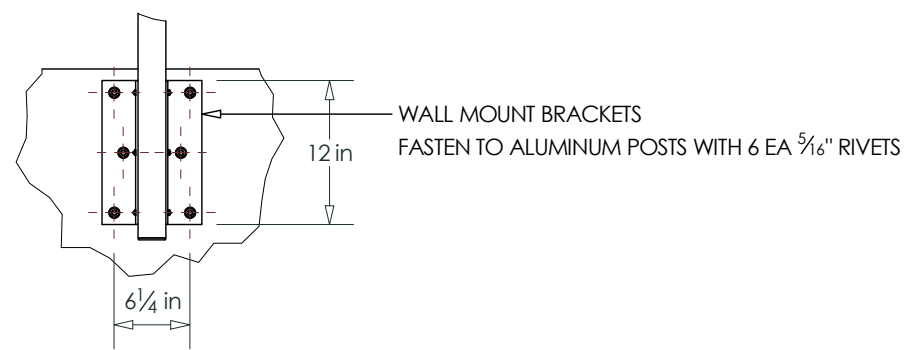
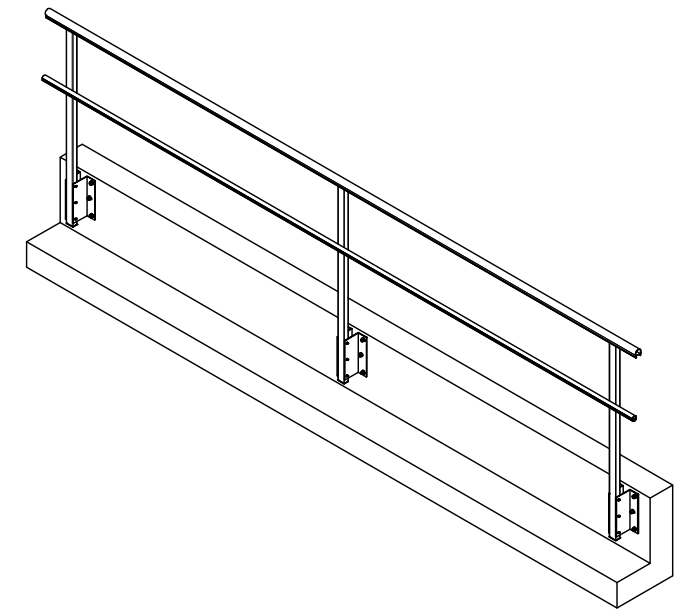
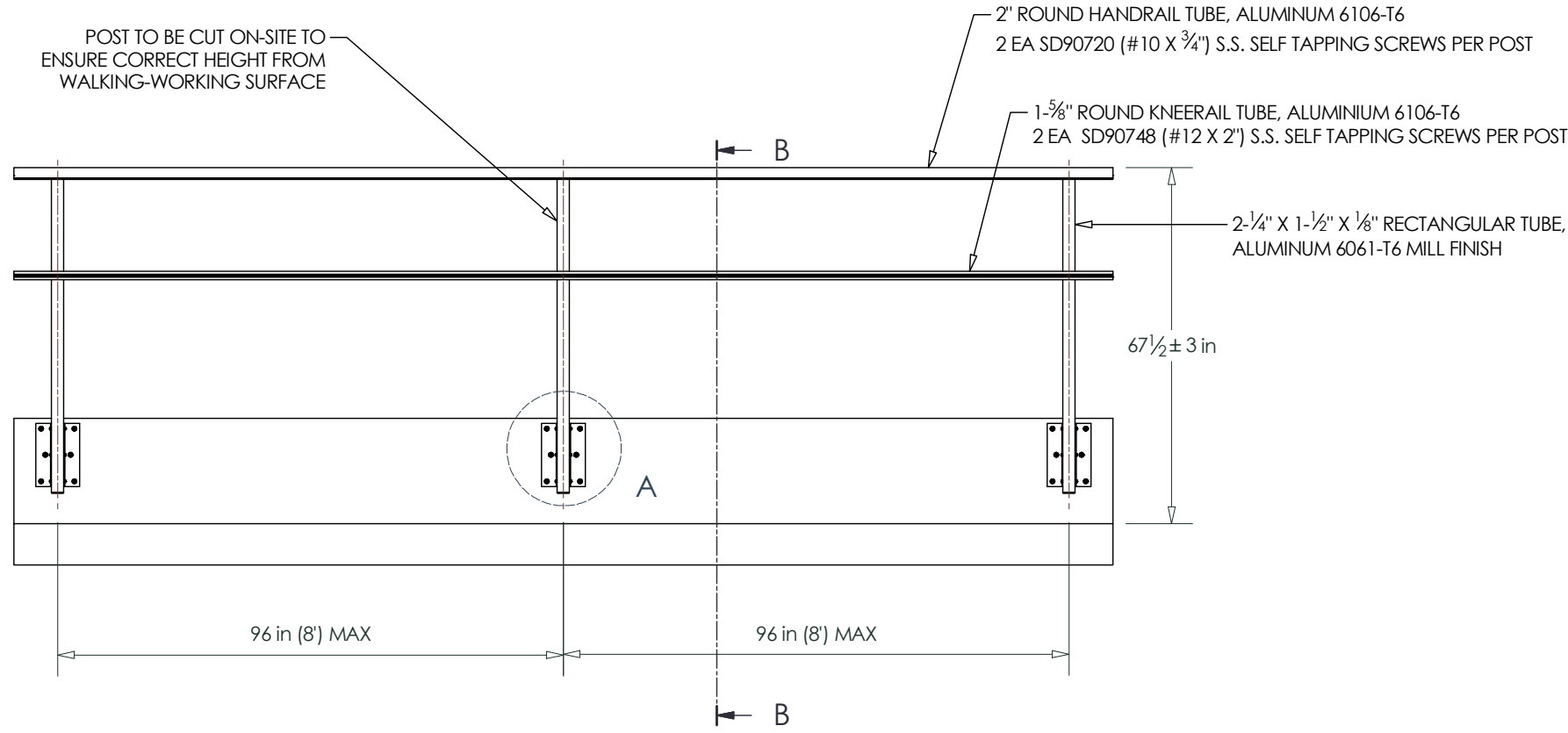


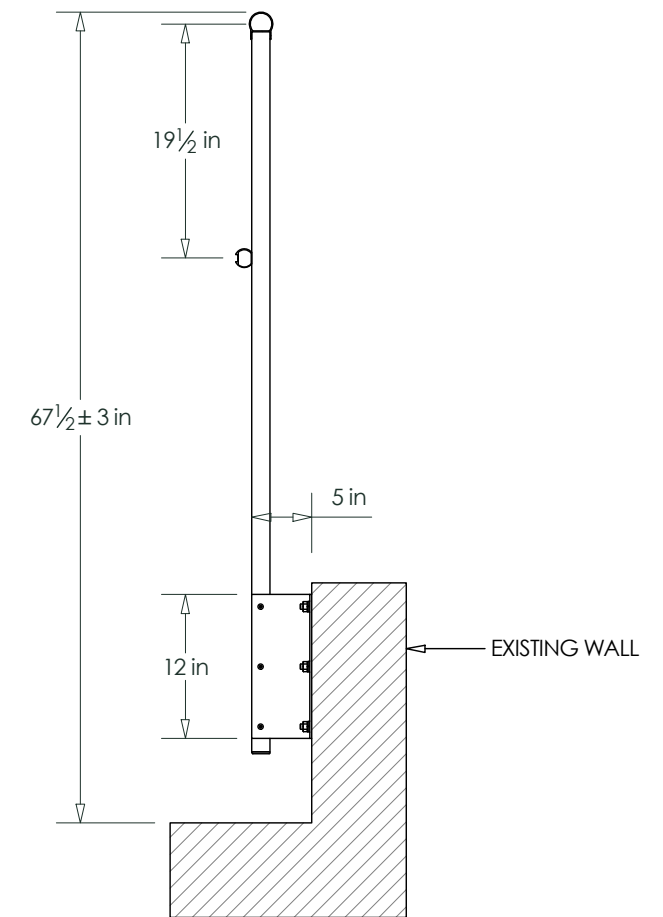
TOP VIEW (1 / 32)



DETAIL A (1 / 16)

FIXFAST RECOMMENDS THE FOLLOWING FIXINGS

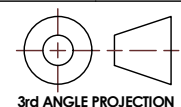
1. PRE-CAST CONCRETE - EP1001 VF22PRO EPOXY OR HILTI HIT-HY 200 INJECTABLE MORTAR AND 4 EA S.S. ANCHOR RODS, WASHERS & NUTS (2 ANCHORS PER SIDE)
2. HOLLOW CORE CONCRETE & BRICK - EP1001 VF22PRO EPOXY OR HILTI HIT-HY-70 INJECTABLE MORTAR, COMPOSITE SLEEVE & 4 EA S.S. ANCHOR RODS, WASHERS & NUTS (2 ANCHORS PER SIDE)
3. STEEL - 4 EA S.S. 1/2" MECHANICAL BOLT/TOGGLE ASSEMBLY



SECTION B-B (1 / 16)

REV	DATE	BY	APP	COMMENTS
1	1/02/2019	SW	RP	ISSUED FOR COMMENT

DRN:	DATE:	SCALE 1 / 32
RP	1/02/2019	
CHK:	DATE:	
RP	1/02/2019	
APP:	DATE:	3rd ANGLE PROJECTION
RP	1/02/2019	



DIMENSION TOLERANCES UNLESS NOTED OTHERWISE	
X	± 1mm
X.X	± 0.25mm
X.XX	± 0.1mm
ANGLE	± 1°



Maximum safety. Minimum fuss.

6210S INDIANAPOLIS ROAD
WHITESTOWN IN 46075 USA
T +1 317 769 7710
F +1 317 769 5560
E sales@fixfastusa.com
W www.fixfastusa.com

DESCRIPTION KATTSAFE GR33 EXTERNAL WALL MOUNT GUARDRAIL		SHT # 1 / 1
MATERIAL	FINISH	SIZE B
DWG No. FFUSA-1033	FAB No.	REV 1