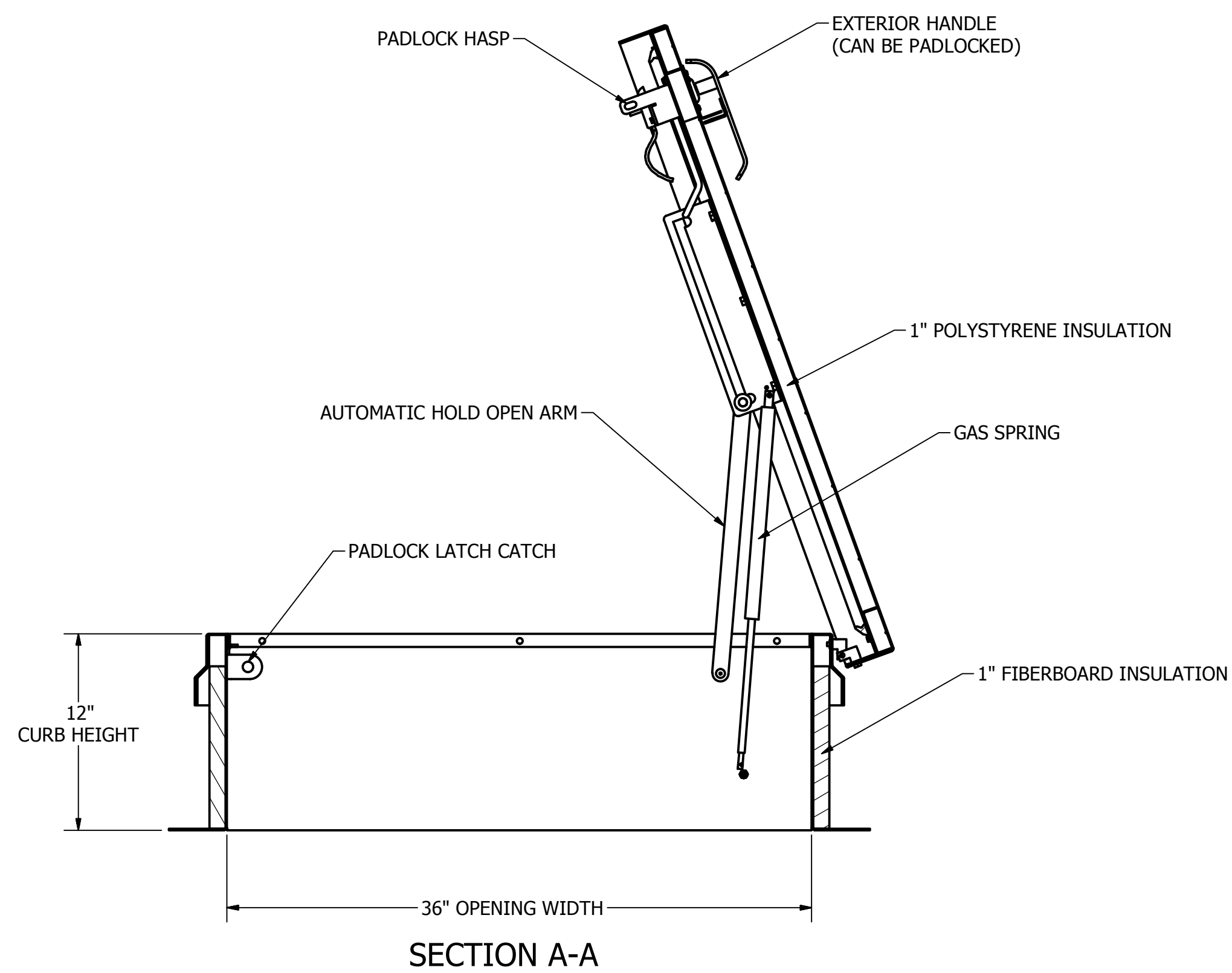
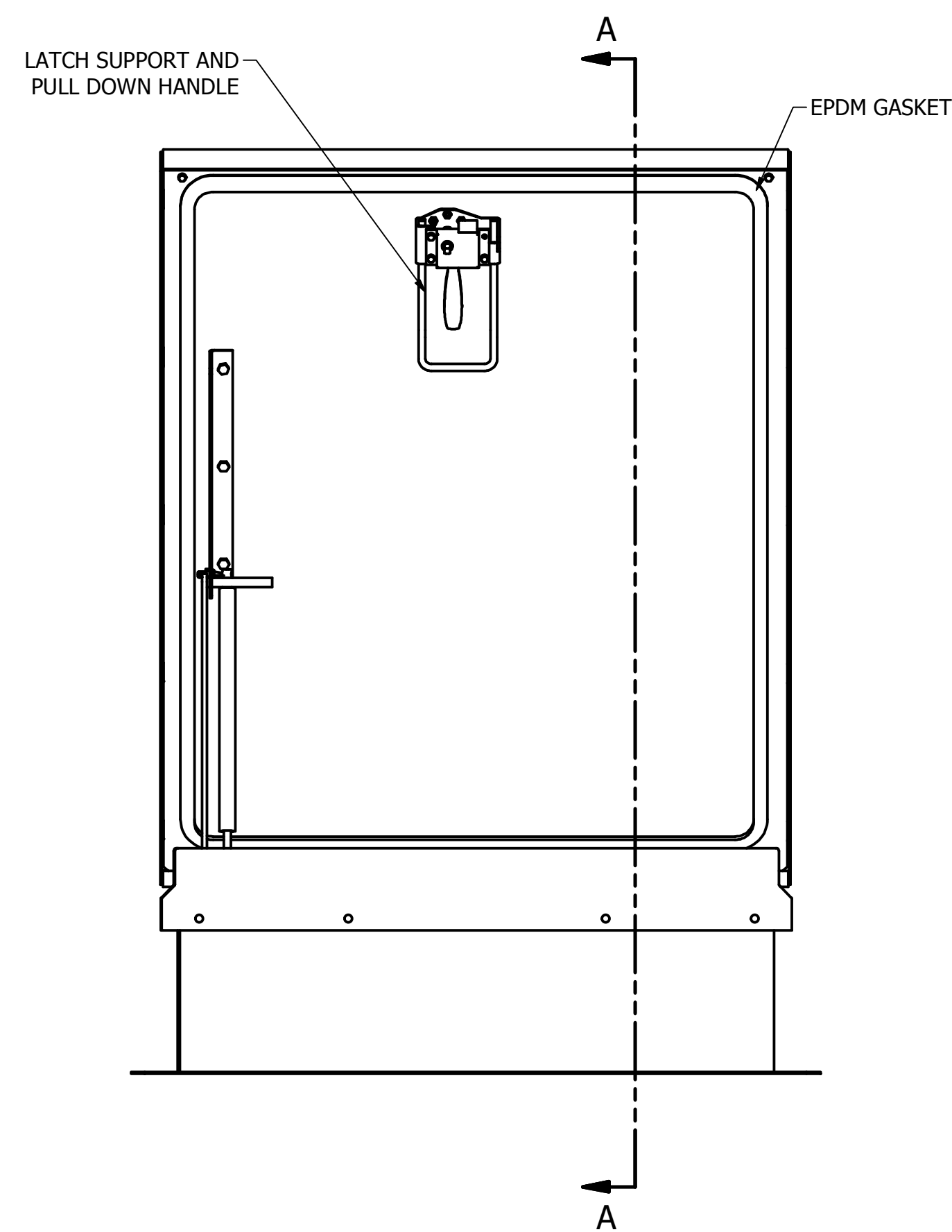


- NOTES:
 SIZE: M - 3'0" X 2'6"
 1) 70 psf COVER LIVE LOAD RATING
 2) HATCH POWDERCOATED WHITE
 3) MATERIALS
 14ga GALVANIZED, COVER
 14ga GALVANIZED, CURB
 14ga GALVANIZED, COUNTER FLASHING
 22ga GALVANIZED, COVER LINER
 4) ZINC PLATED HARDWARE
 5) GAS SPRING COVER ASSIST



DRAWN	JCS	11/28/18	Phone: 888-637-7872 www.fixfastusa.com 3921 Perry Boulevard, Whitestown, IN 46075	
CHECKED		FIXFAST USA	TITLE	
QA		TOLERANCE	KH3036 30" x 36"	
MFG		UNLESS SPECIFIED		
APPROVED		.XXX ± 0.005"	SIZE	DWG NO
		.XX ± 0.01"	D	3501-501-9_submittal
		FRACT. ± 1/16"	SCALE	REV
		ANGLES ± 1'		D
			SHEET 1 OF 1	