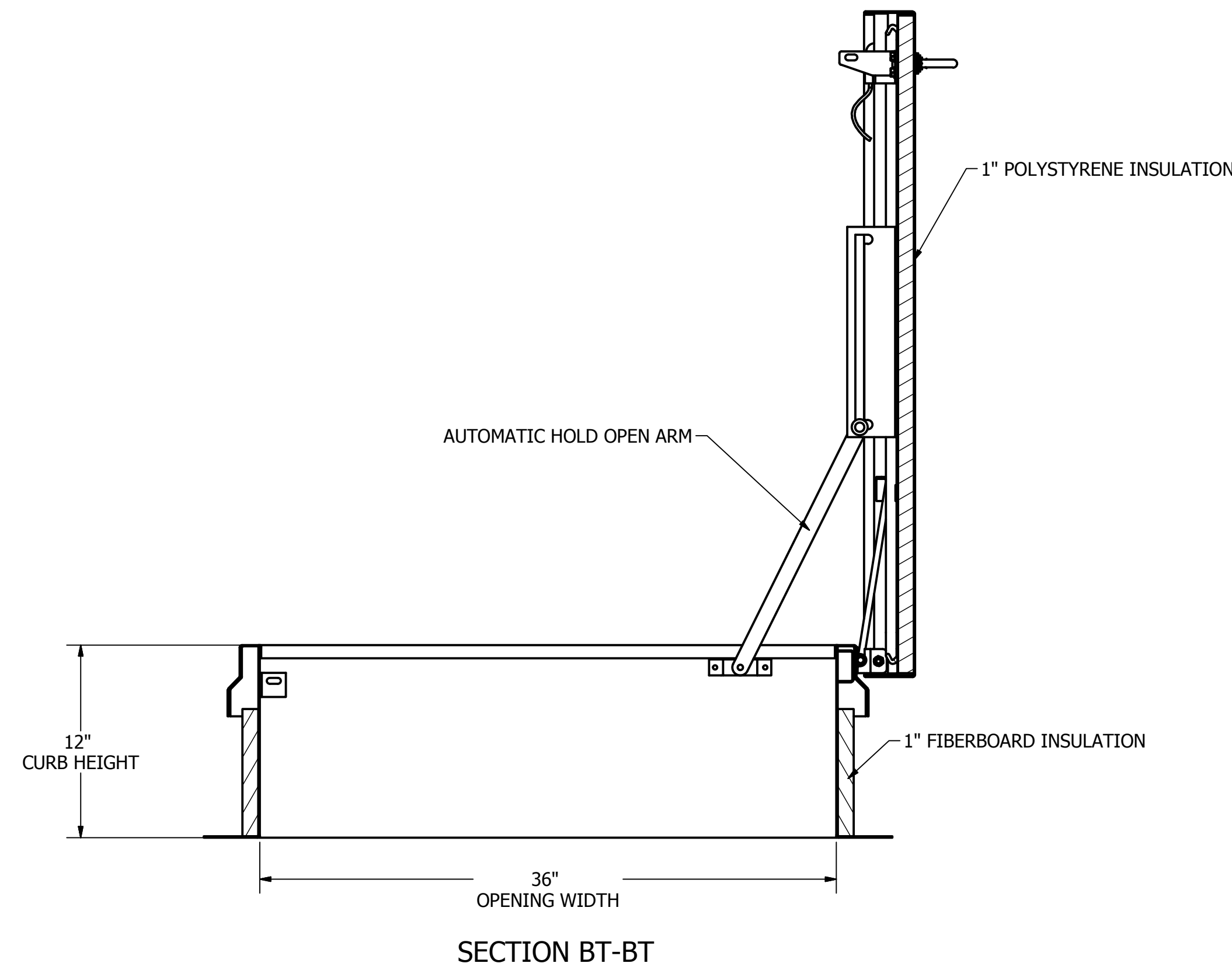
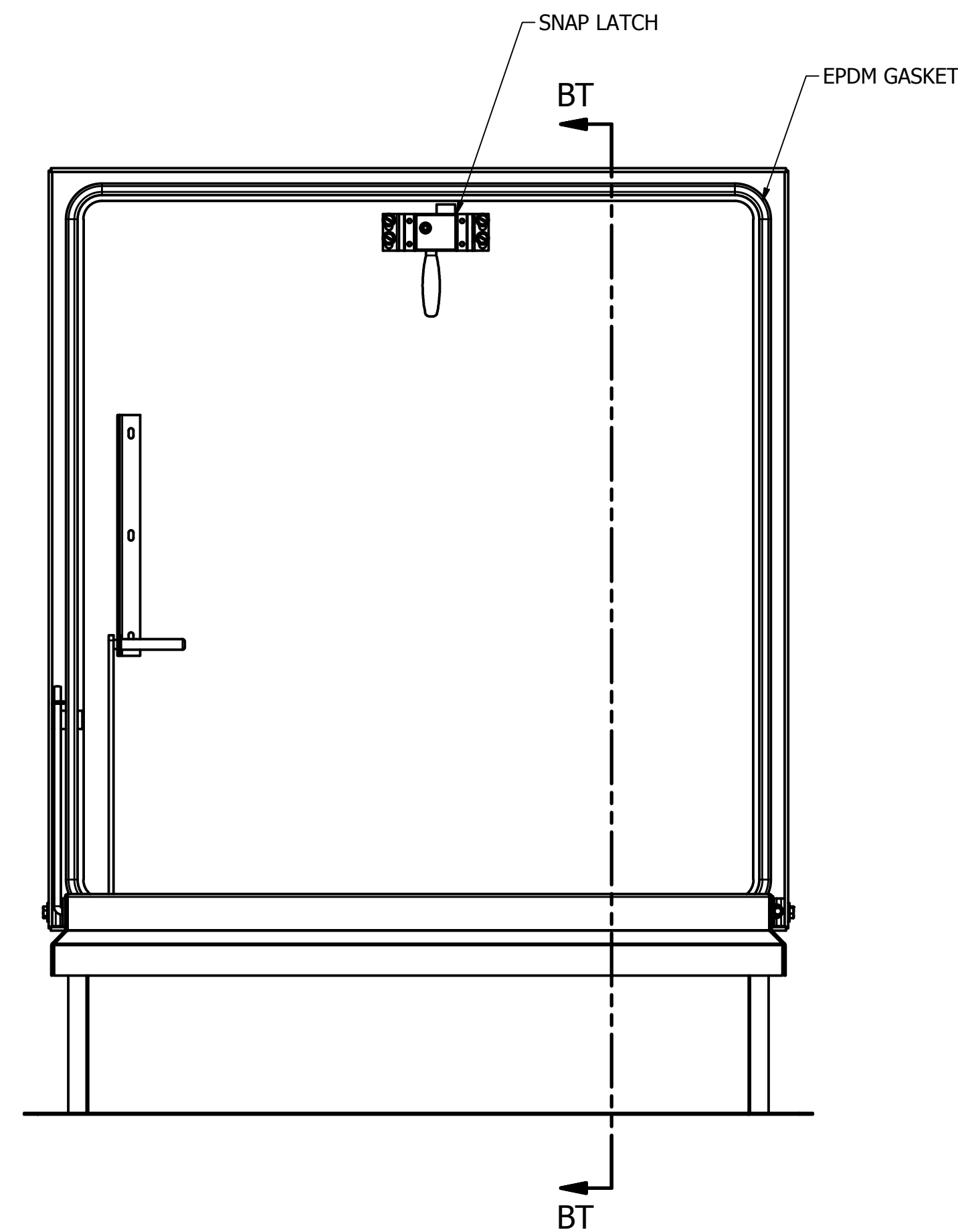


- NOTES:
 SIZE: M-3'0"X3'0"
 1) 70psf COVER LIVE LOAD RATING
 2) HATCH PAINTED WHITE
 3) MATERIALS:
 14ga GALVANIZED, COVER
 14ga GALVANIZED, CURB
 14ga GALVANIZED, COUNTER FLASHING
 22ga GALVANIZED, COVER LINER



DRAWN	CMD	2/23/2015	FIXFAST USA www.fixfastusa.com	
CHECKED			3921 Perry Boulevard Whitestown, IN 46075 Ph: 888 637 7872	
QA	TOLERANCE UNLESS SPECIFIED		TITLE	
MFG	.XXX ± 0.005"		KH3636 - 36in x 36in ROOF HATCH	
APPROVED	.XX ± 0.01"		SIZE	REV
	FRACT. ± 1/16"		D	--
	ANGLES ± 1'		DWG NO	SCALE
			3501-410-9	SHEET 1 OF 1