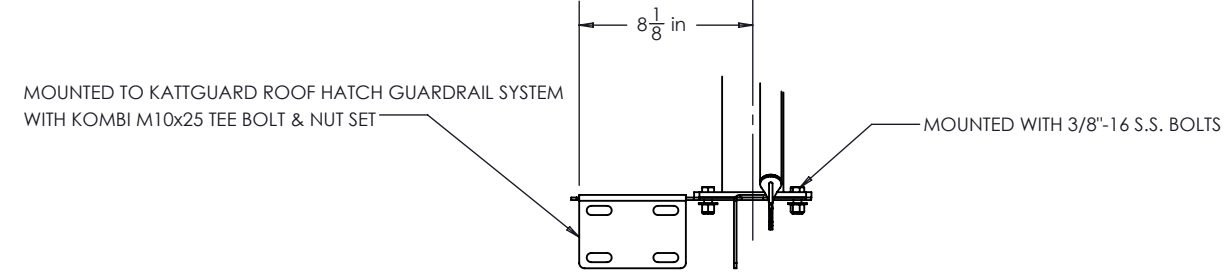
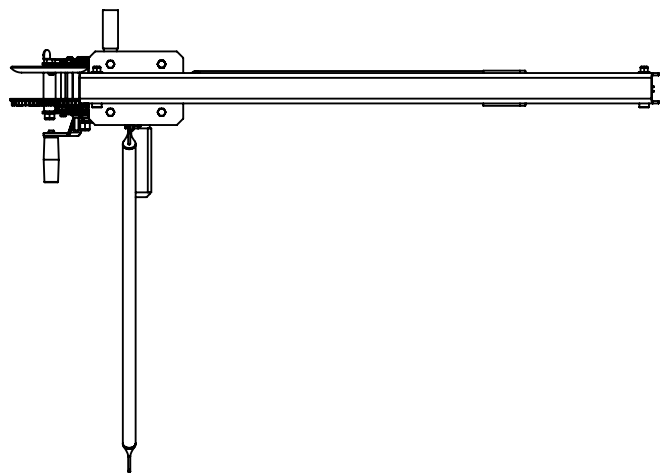


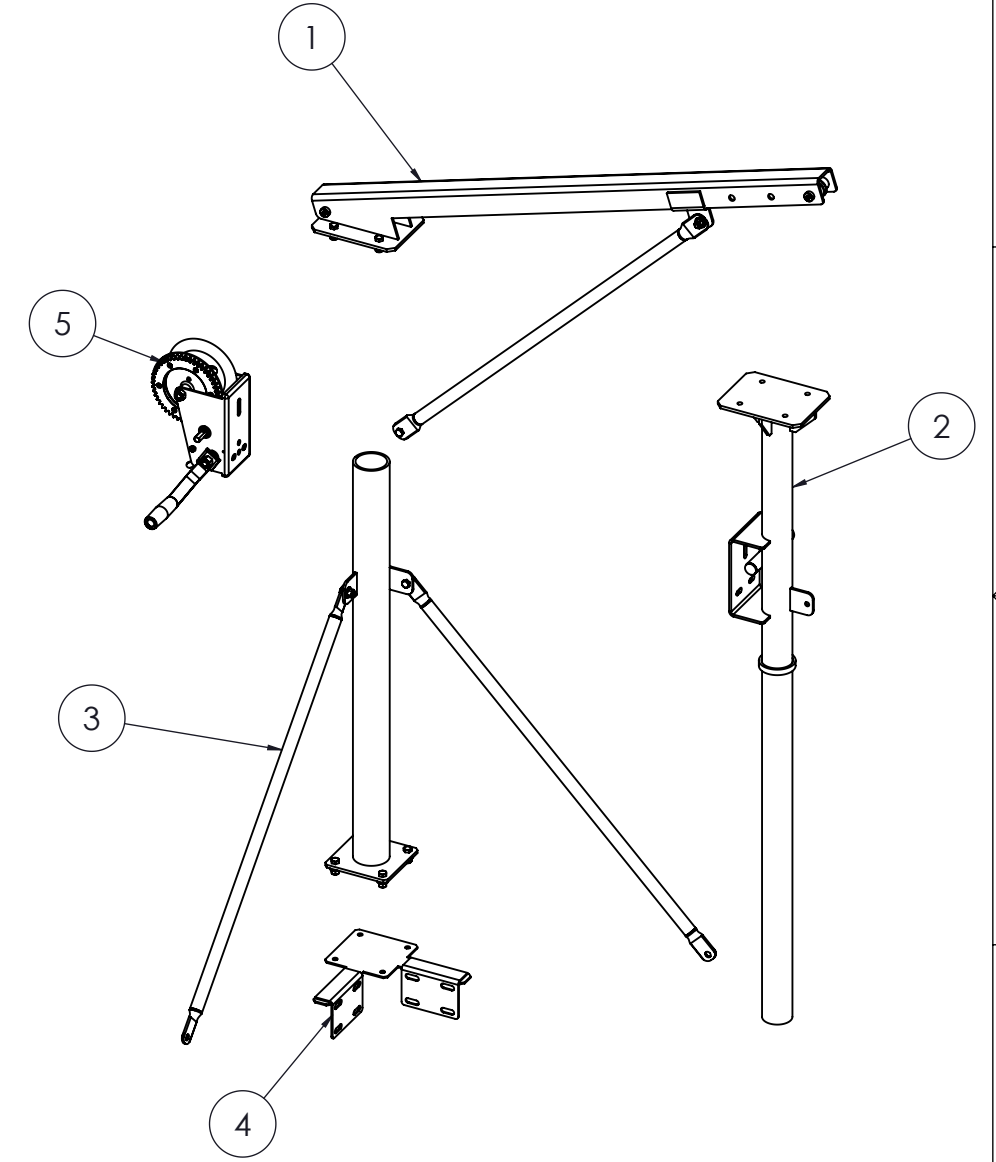
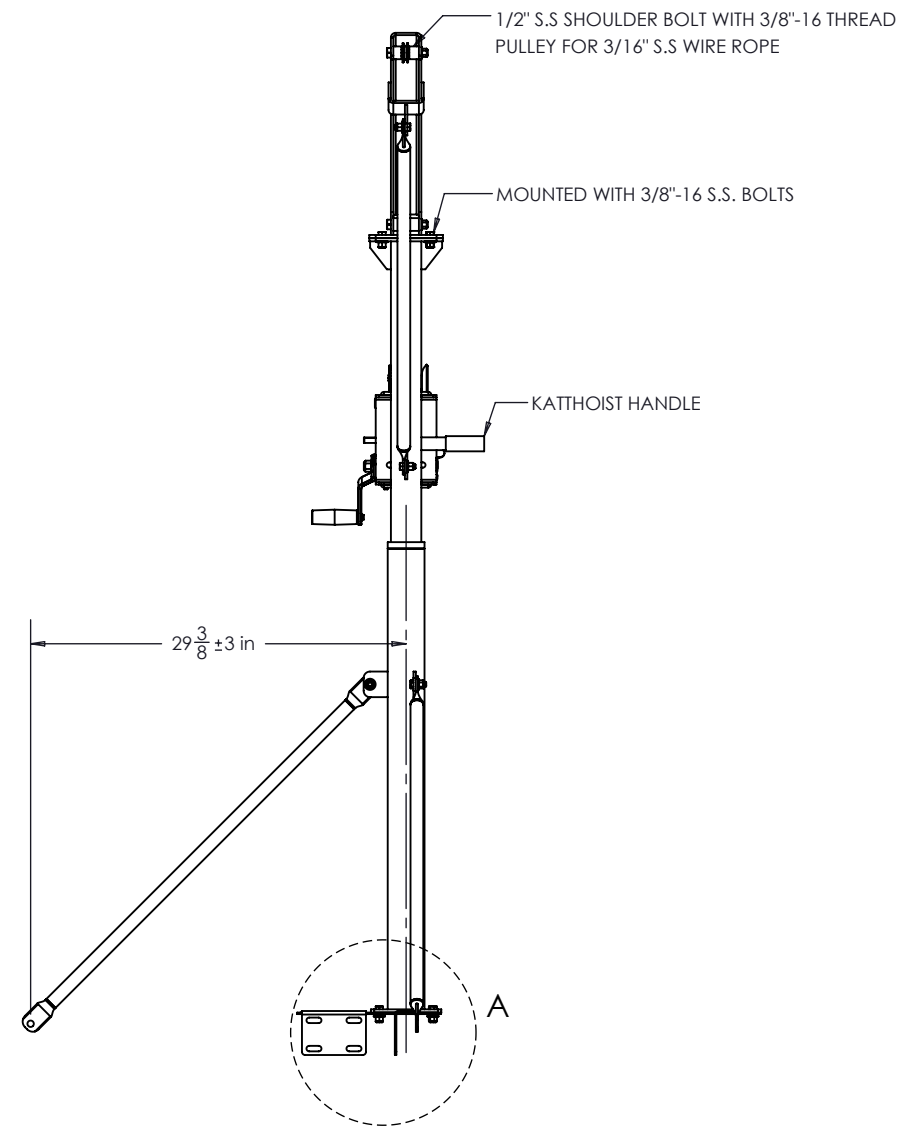
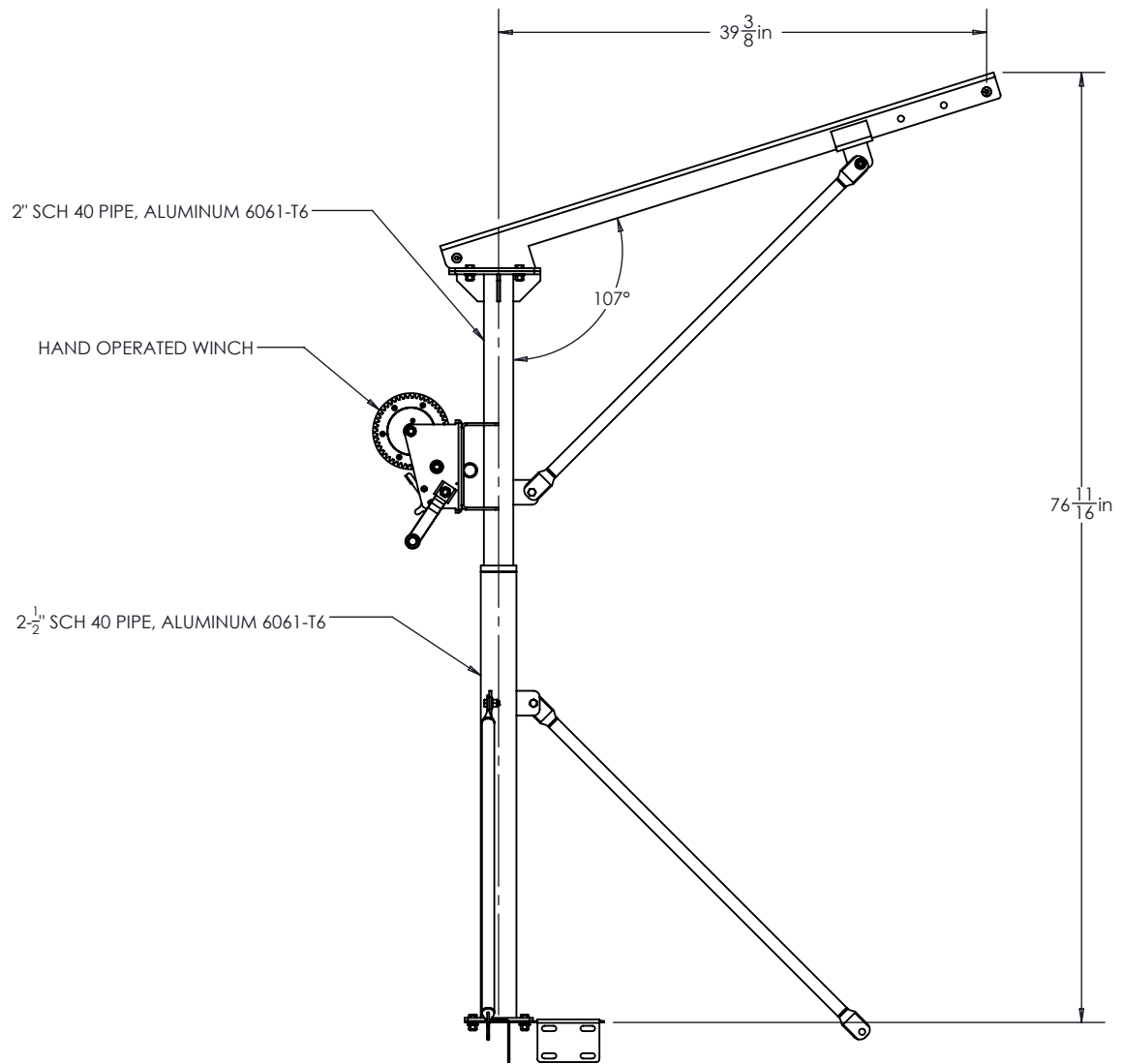
8 7 6 5 4 3 2 1

F
E
D
C
B
A

PARTS LIST	
ITEM	DESCRIPTION
1	HOIST ARM
2	HOIST ARM POST
3	RECEIVING FRAME
4	ATTACHMENT BRACKET
5	HOIST WINCH



DETAIL A (1 / 9)



NOTES:
 1. ALL HARDWARE IS TO BE STAINLESS STEEL
 2. INSTALLATION SHALL COMPLY WITH MANUFACTURER INSTRUCTIONS & OSHA REGULATIONS

REV	DATE	BY	APP	RELEASED COMMENTS
1	10/10/20	JT		

DRN:	DATE:	SCALE 1 / 15 3rd ANGLE PROJECTION	UNTOLERANCED DIMENSIONS		
CHK:	DATE:		DIMENSION	DIAMETER	LENGTH
APP:	DATE:		0 - 250mm	0.25mm	0.5mm
			250 - 750mm	0.50mm	1.0mm
			> 750mm	0.75mm	1.5mm

FIXFASTUSA
 3921 PERRY BOULEVARD
 WHITESTOWN IN 46075 USA
 T +1 317 769 7710
 E technical@fixfastusa.com
 W www.fixfastusa.com

Maximum safety. Minimum fuss.
 THIS DRAWING REMAINS THE PROPERTY OF FIXFAST USA® AND MAY NOT BE CHANGED WITHOUT WRITTEN PERMISSION

DESCRIPTION KATTHOIST ROOF HATCH MOUNTED HOIST SYSTEM		SHT # 1 / 1
MATERIAL	FINISH	SIZE B
DWG No.	FAB No.	REV 1

8 7 6 5 4 3 2 1