

PARTS LIST		
ITEM	PART NUMBER	DESCRIPTION
1	AL729	CHANNEL
2	AL729	CHANNEL
3	AL729	CHANNEL
4	AL766	TUBE
5	GW374	KATTGUARD HANDRAIL TUBE
6	GW375	KATTGUARD KNEERAIL TUBE
7	GW384	KATTGUARD HANDRAIL BRACE
8	KP3400	KATTPPOINT - DOUBLE STUD PLATE
9	8SD38002	3/8 IN x 7/8 IN S/S FLAT WASHER
10	8SD38003	3/8 IN S/S HEX NUT
11	8SD38005	3/8 IN S/S LOCK WASHER

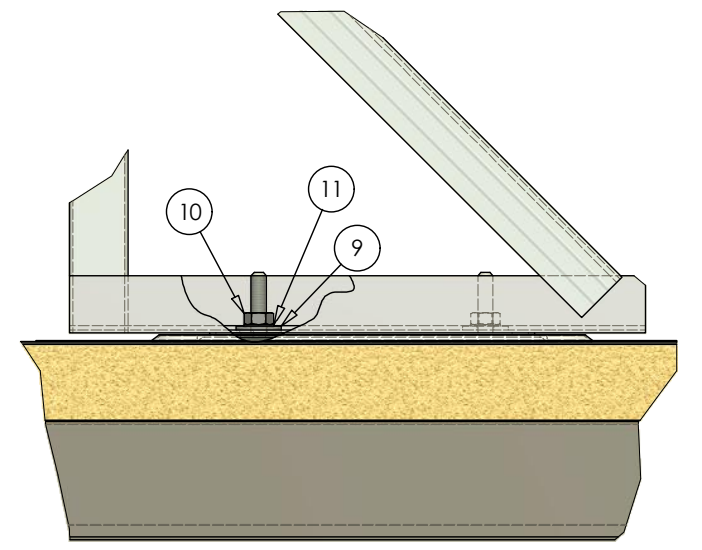
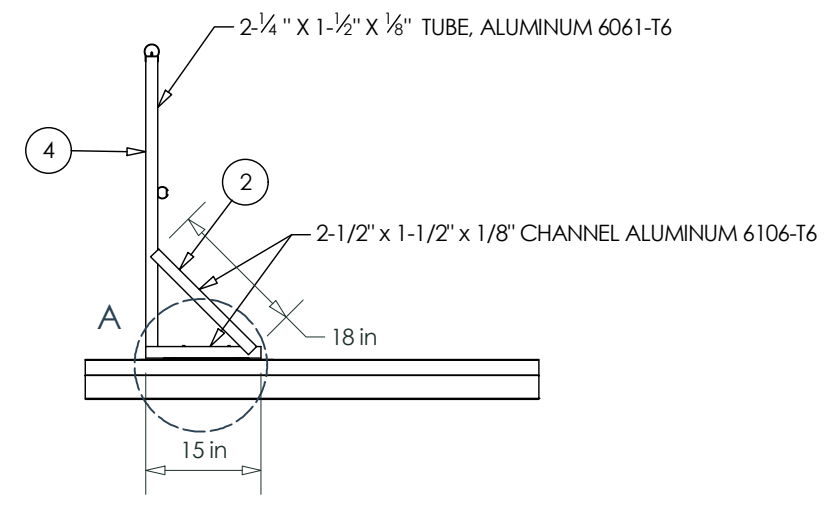
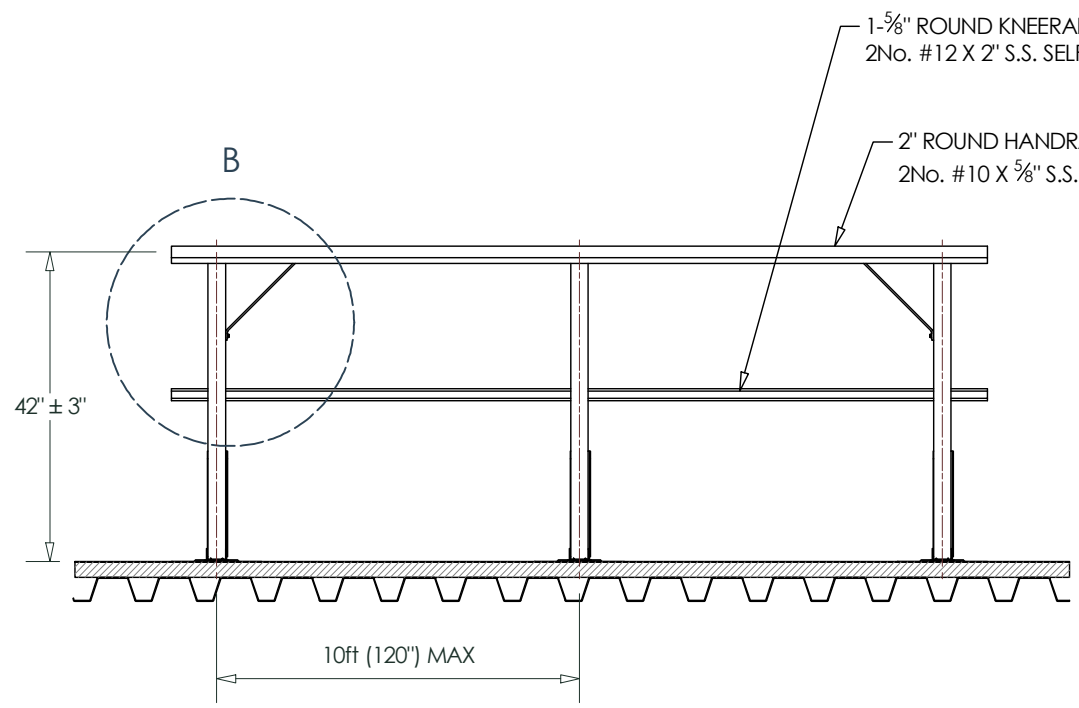
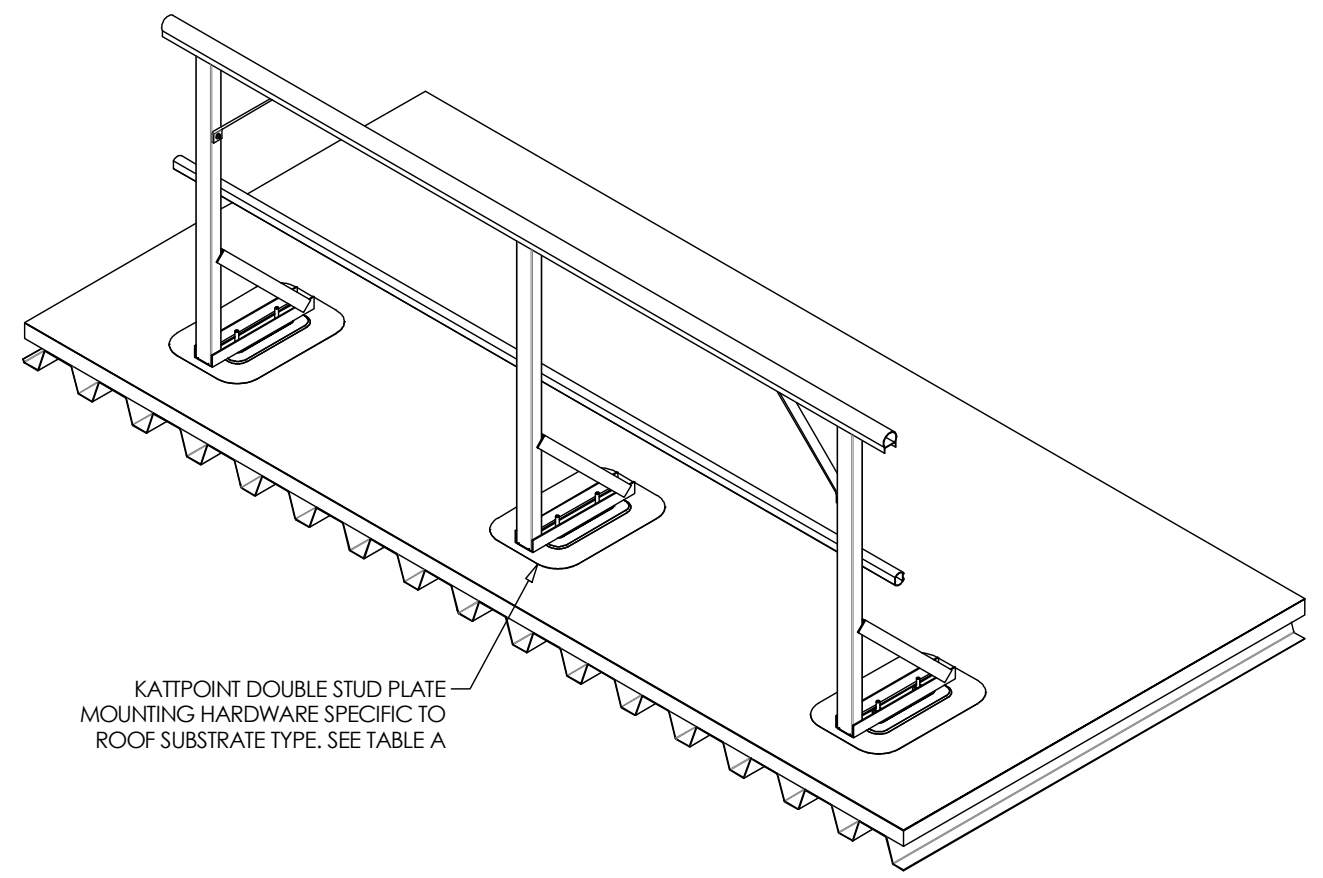
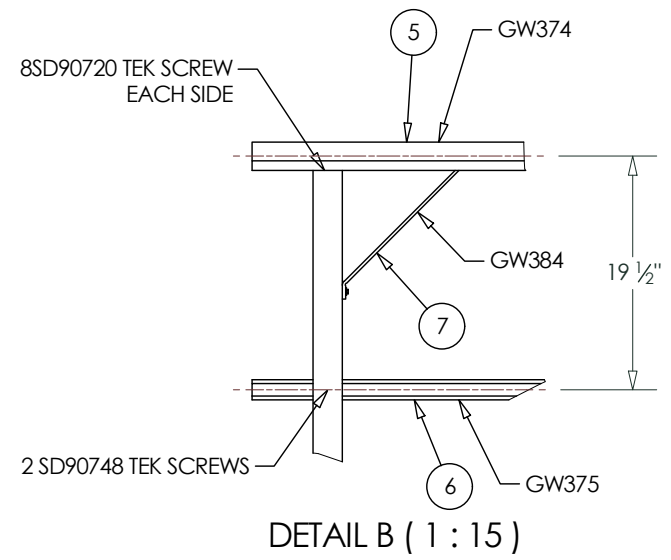


TABLE A	
ROOF SUBSTRATE	HARDWARE
METAL DECK (24ga MIN)	(8) #14 or #15 ROOFING FASTENERS
CONCRETE DECK	(6) #14 CONCRETE FASTENERS
WOOD DECK (1/2in THICKNESS MIN)	(8) #14 or #15 ROOFING FASTENERS

NOTES:

1. ALL HARDWARE IS TO BE STAINLESS STEEL
2. INSTALLATION SHALL COMPLY WITH MANUFACTURER INSTRUCTIONS & OSHA REGULATIONS
3. THE KATTPPOINT ANCHORS ARE SUPPLIED WITH ALL MAJOR ROOFING MANUFACTURERS MEMBRANES PRE-ATTACHED, SPECIFY ROOF MEMBRANE TYPE, COLOR AND BRAND UPON ORDER
4. WHERE HANDRAIL & KNEERAIL ARE JOINED, AN INTERNAL SPLICE IS REQ (SEE DWG FFUSA-1013)
5. ALL CORNERS ARE TO BE JOINED BY KATTGUARD ADJUSTABLE HANDRAIL & KNEERAIL ELBOWS (SEE DWG FFUSA-1013)
6. ALL EXPOSED HANDRAIL & KNEERAIL ENDS TO BE TERMINATED WITH END CAPS OR CLOSURE BENDS.

PROJECT REF: _____
 CONTRACTOR: _____
 APPROVED BY: _____
 SIGN HERE: _____

REV	DATE	BY	APP	COMMENTS
1	26/03/2020	RP	WL	NEW RELEASE

DRN: SW DATE: 15/11/2018
 CHK: DATE:
 APP: DATE:

SCALE 1 / 25

DIMENSION TOLERANCES UNLESS NOTED OTHERWISE

X	± 1mm
X.X	± 0.25mm
X.XX	± 0.1mm
ANGLE	± 1°

3rd ANGLE PROJECTION

FIXFASTUSA

3921 PERRY BLVD
 WHITESTOWN IN 46075
 USA T +1 317 769 7710
 F +1 317 769 5560
 E sales@fixfastusa.com
 W www.fixfastusa.com

Maximum safety. Minimum fuss.
 THIS DRAWING REMAINS THE PROPERTY OF FIXFAST USA® AND MAY NOT BE CHANGED WITHOUT WRITTEN PERMISSION

DESCRIPTION	SHT #
KATTGUARD SURFACE MOUNT ROOF GUARDRAIL FOR MEMBRANE ROOF SYSTEMS	1 / 1
MATERIAL	FINISH
DWG No. GR36	FAB No.
	REV 1