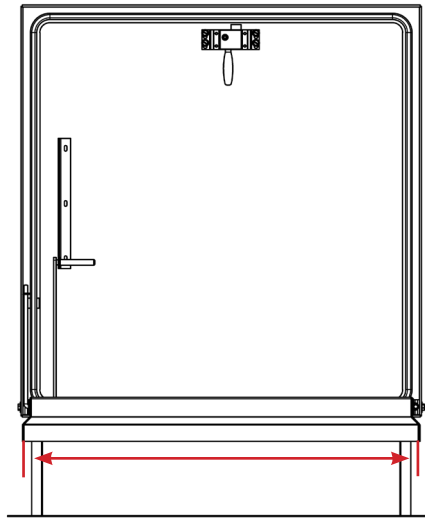
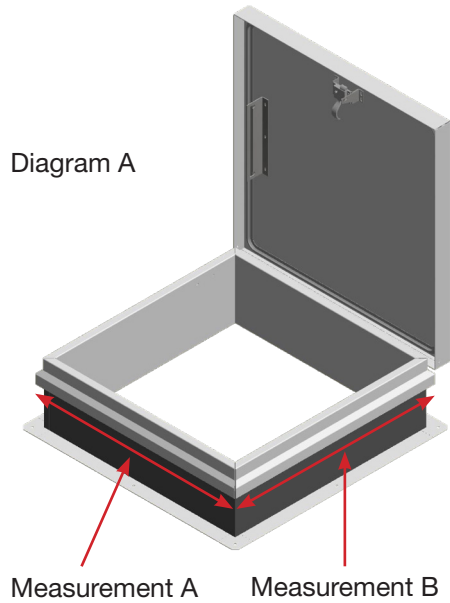


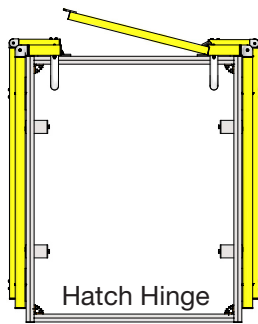
# KATTGUARD Roof Hatch Assessment Form

sales@fixfastusa.com    fixfastusa.com    888 637 7872

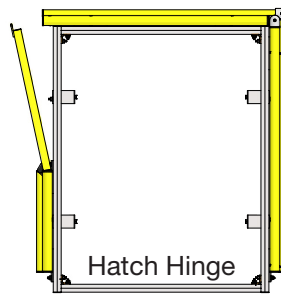
1. Measure the roof hatch flange length for measurement 'A'.
2. Measure the roof hatch flange length for measurement 'B'.
3. Circle your exit type.
4. Submit a photo of your application with this form to **sales@fixfastusa.com** for an accurate quote.
5. If you are unable to accurately complete this form due to a unique application, then please contact FIXFAST USA for further assistance.



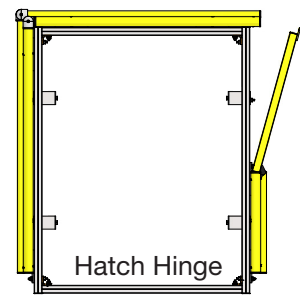
Measurements in Diagram (A) are referencing the length of the flange.



A: Front Exit



B: Left Exit



C: Right Exit

Contact Name	
Contact Info (Phone/Email)	
Project Reference	
Measurement A	
Measurement B	
Exit Option	