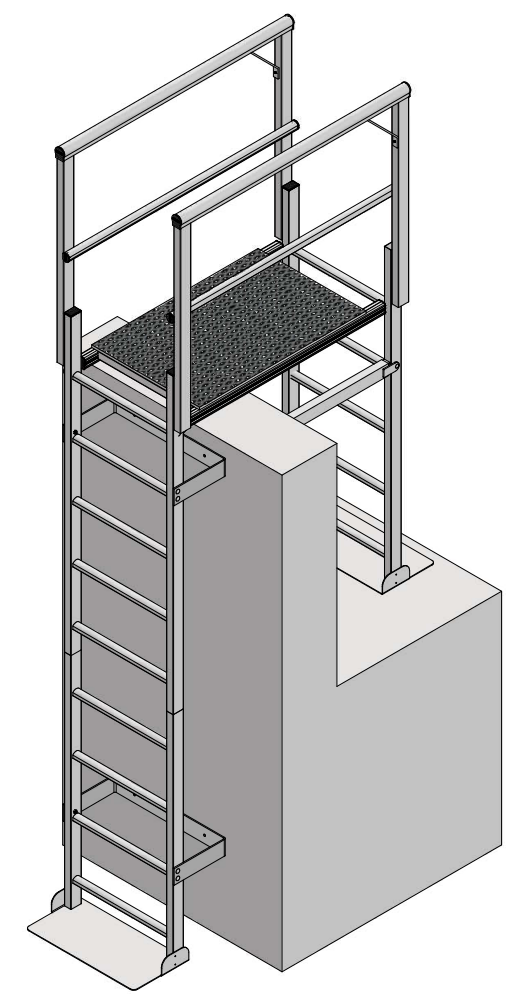
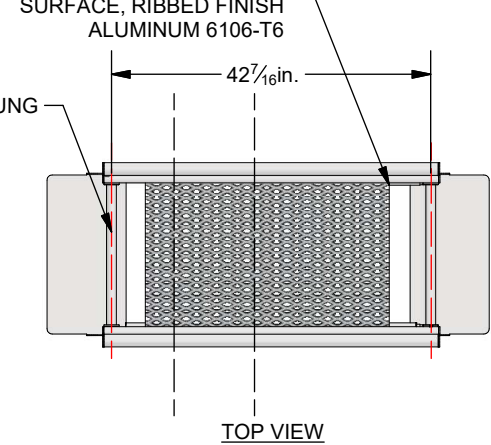
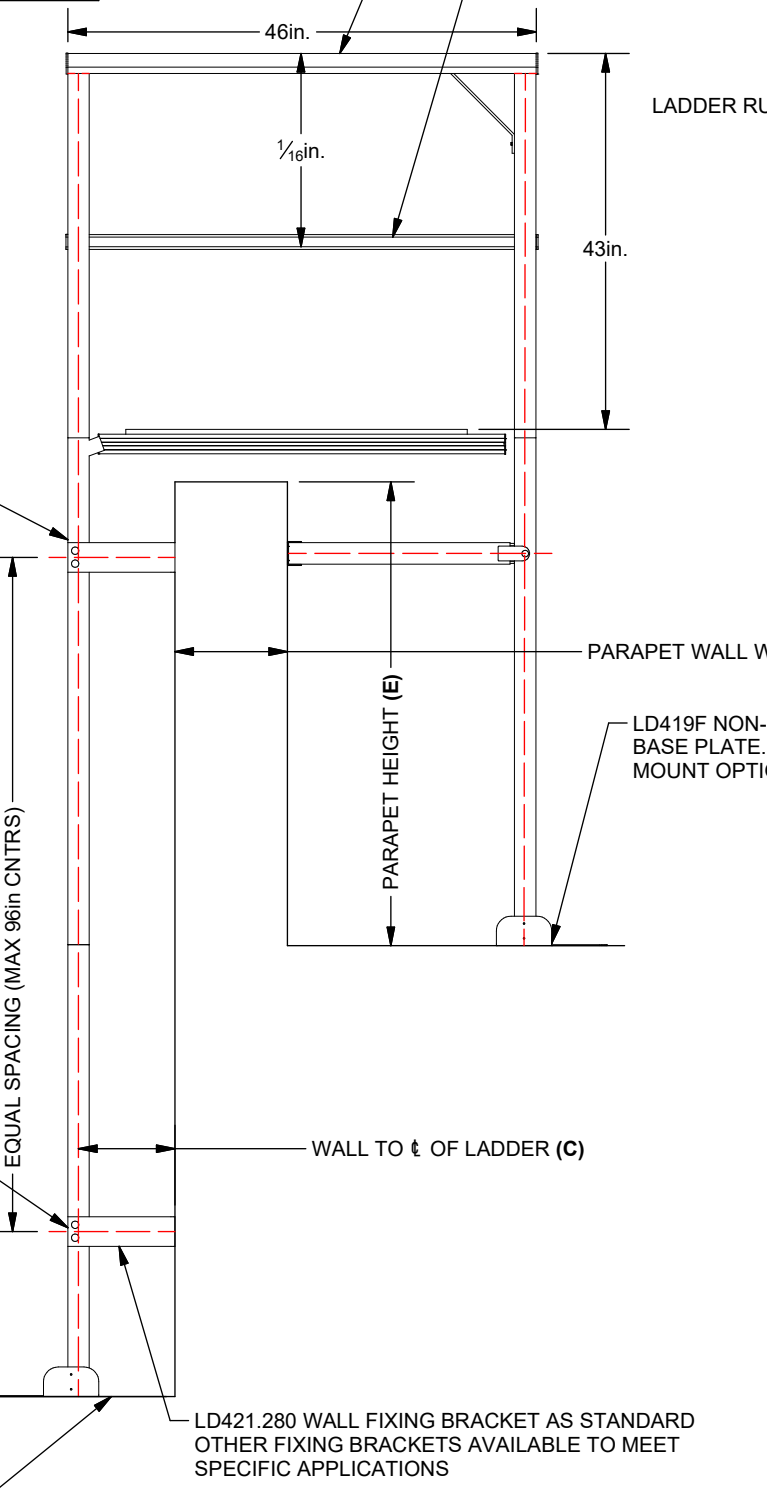
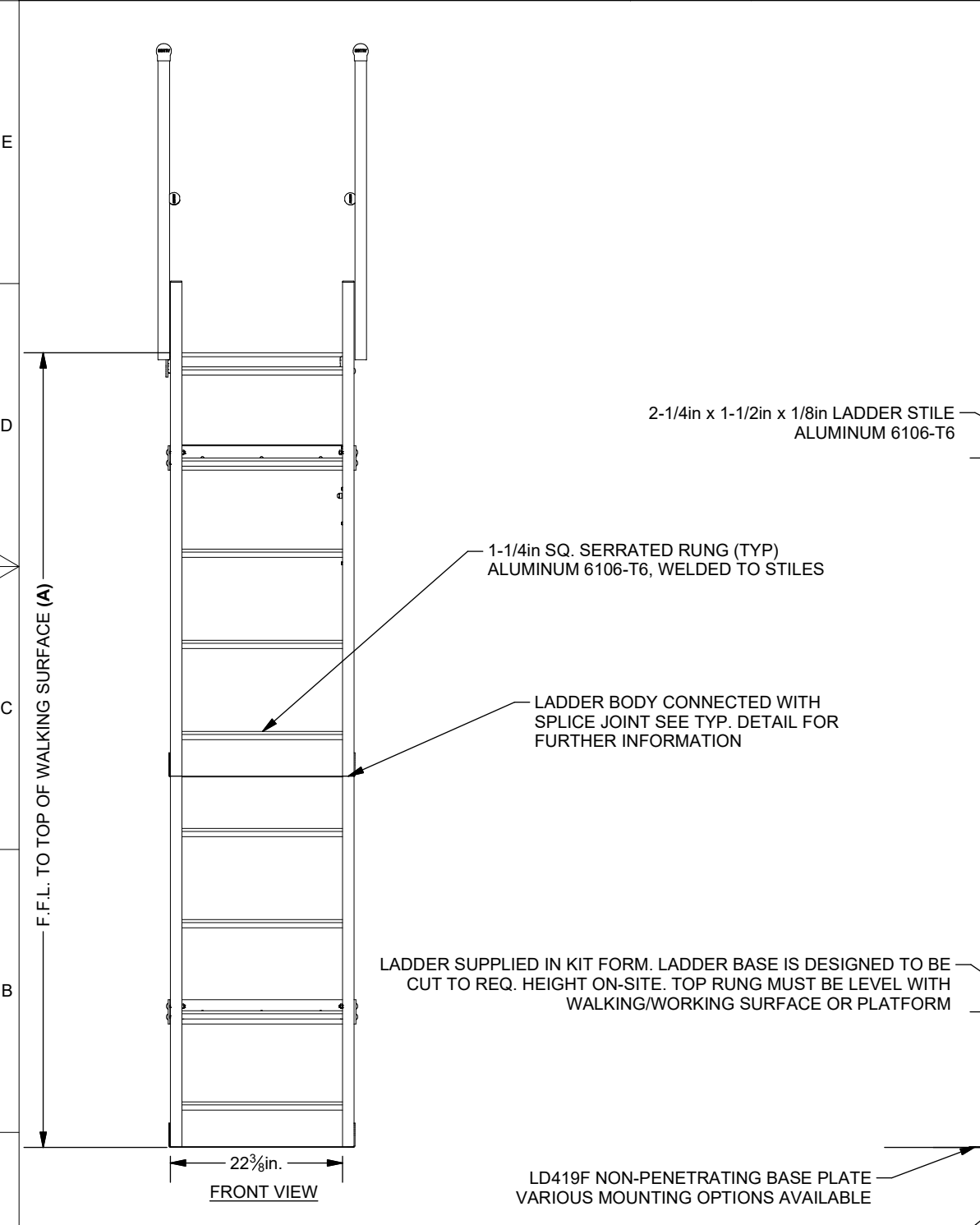


PROJECT REF: \_\_\_\_\_  
 CONTRACTOR: \_\_\_\_\_  
 APPROVED BY: \_\_\_\_\_  
 SIGN HERE: \_\_\_\_\_

AVAILABLE LADDER KITS	
CODE	HEIGHTS UP TO
RL32.047	47in (3ft, 11in)
RL32.094	94in (7ft, 10in)
RL32.141	141in (11ft, 9in)
RL32.188	188in (15ft, 8in)
RL32.234	234in (19ft, 6in)
RL32.283	283in (23ft, 7in)



- A** LOWER LEVEL TO UPPER LEVEL WALKING/WORKING HEIGHT
- B** WALL SUBSTRATE TYPE (I.E BRICK, CONCRETE BLOCK, METAL SIDING, ETC)
- C** WALL TO CENTERLINE OF LADDER. OSHA 1910.23(D)(2) STATES THAT THE DISTANCE FROM THE CENTERLINE OF THE RUNGS TO THE NEAREST PERMANENT OBJECT SHALL NOT BE LESS THAN 7in. OSHA ALSO REQUIRES A PLATFORM IF THE DISTANCE EXCEEDS 12in. PLEASE STATE WIDTH OF ANY GUTTER OR OBJECT (E.G. GUTTER 9in WIDE). FIXFAST WILL ENSURE THAT THE CORRECT BRACKET IS PROVIDED
- D** FLOOR SUBSTRATE TYPE (I.E. ROOF MEMBRANE, CONCRETE, METAL ROOF, ETC.)
- E** INTERNAL PARAPET WALL HEIGHT
- F** PARAPET WALL WIDTH

REV	DATE	BY	APP	COMMENTS
01	03/11/2022	SJC	WJL	ISSUED FOR RELEASE
				COMMENTS

DRN: SJC DATE: 03/11/2022  
 CHR: END  
 APP: WJL DATE:

SCALE 1 / 48

UNTOLERANCED DIMENSIONS

DIMENSION	DIAMETER	LENGTH
0 - 250mm	± 0.25mm	± 0.5mm
250 - 750mm	± 0.50mm	± 1.0mm
> 750mm	± 0.75mm	± 1.5mm

3rd ANGLE PROJECTION

**FIXFASTUSA**

3921 Perry Blvd.  
 Whitestown, IN. 46077  
 T +1 888 637 7872  
 E sales@fixfastusa.com  
 W www.fixfastusa.com

Maximum safety. Minimum fuss.

THIS DRAWING REMAINS THE PROPERTY OF FIXFAST USA®  
 AND MAY NOT BE CHANGED WITHOUT WRITTEN PERMISSION

DESCRIPTION		SHT #
VERTICAL LADDER WITH 3ft WALKWAY		1/1
MATERIAL	FINISH	SIZE
ALUMINUM	MILL FINISH	B
DWG No.	PRODUCT CODE	REV
202203-75	RL32	01