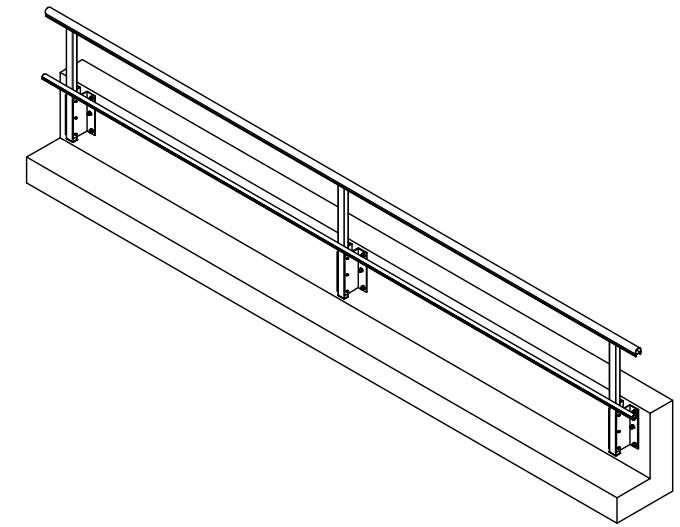
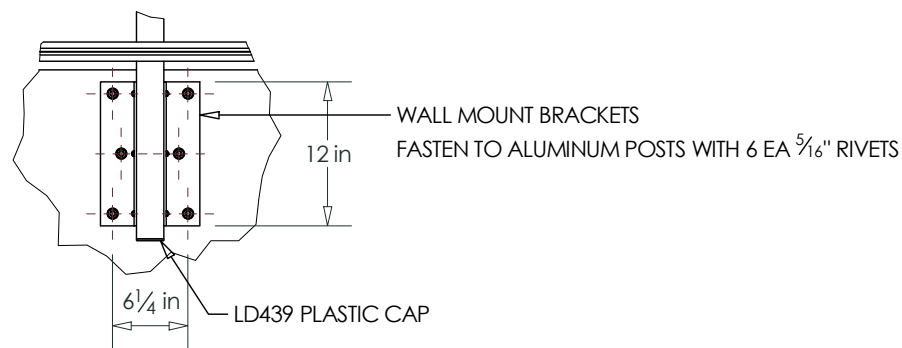
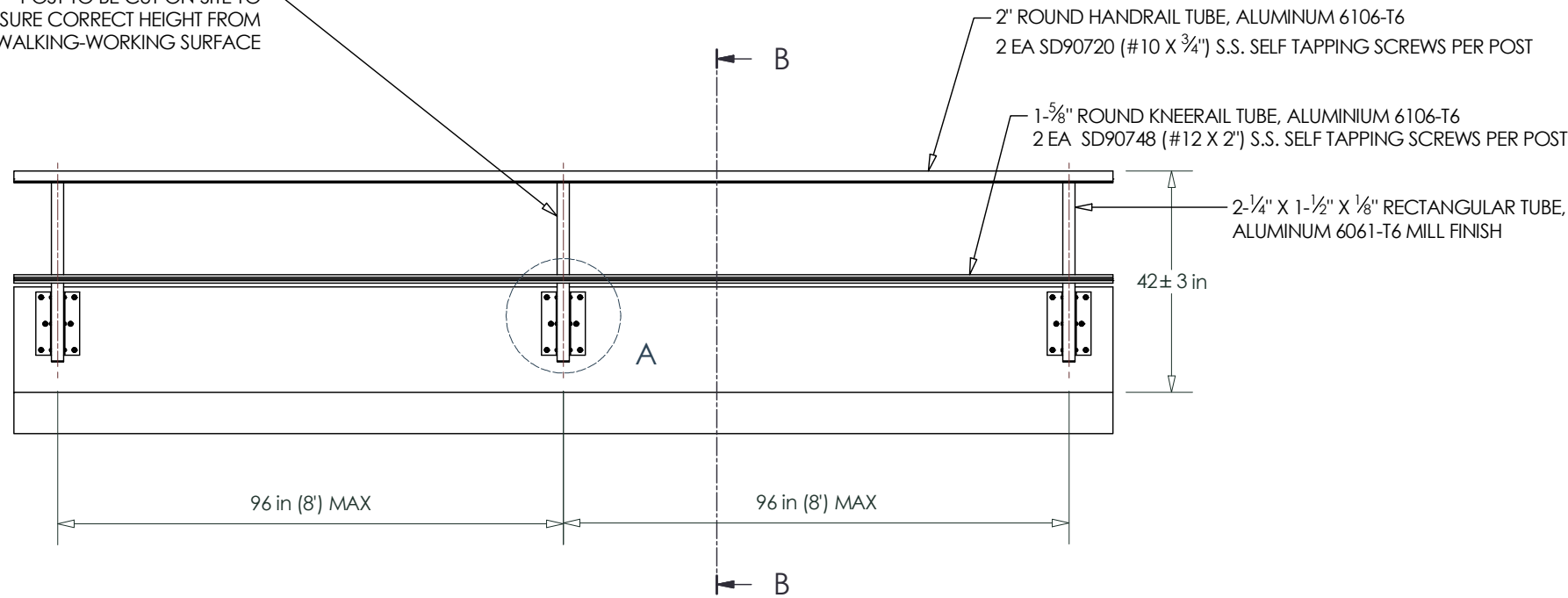


TOP VIEW ( 1 / 32 )



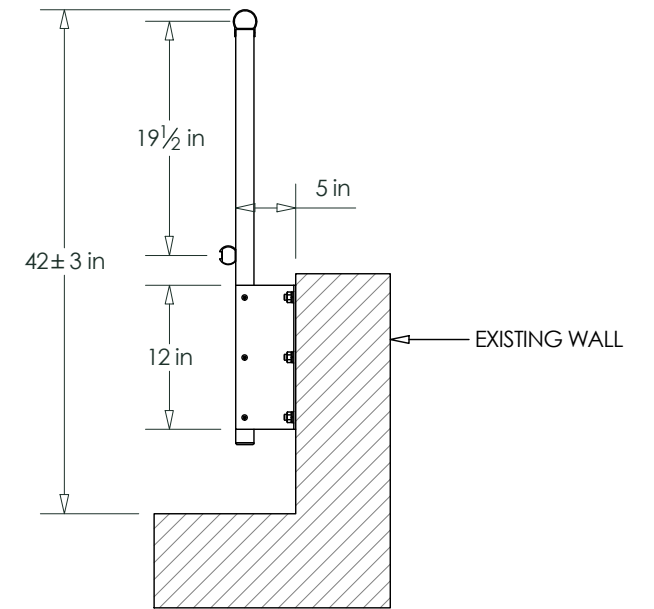
3 POST TO BE CUT ON-SITE TO ENSURE CORRECT HEIGHT FROM WALKING-WORKING SURFACE



DETAIL A ( 1 / 16 )

**FIXFAST RECOMMENDS THE FOLLOWING FIXINGS**

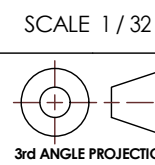
1. PRE-CAST CONCRETE - EP1001 VF22PRO EPOXY OR HILTI HIT-HY 200 INJECTABLE MORTAR AND 4 EA S.S. ANCHOR RODS, WASHERS & NUTS (2 ANCHORS PER SIDE)
2. HOLLOW CORE CONCRETE & BRICK - EP1001 VF22PRO EPOXY OR HILTI HIT-HY-70 INJECTABLE MORTAR, COMPOSITE SLEEVE & 4 EA S.S. ANCHOR RODS, WASHERS & NUTS (2 ANCHORS PER SIDE)
3. STEEL - 4 EA S.S. 1/2" MECHANICAL BOLT/TOGGLE ASSEMBLY



SECTION B-B ( 1 / 16 )

REV	DATE	BY	APP	COMMENTS
3	1/02/2019	SW	RP	ADDED CUT ON SITE NOTE
2	6/10/2017	BV	WL	REVISE FIXING DETAILS - ISSUED FOR RELEASE
1	31/07/17	RP	WL	ISSUED FOR COMMENT

DRN:	DATE:
RP	6/07/2017
CHK:	DATE:
WL	20/07/2017
APP:	DATE:
BV	12/10/2017



DIMENSION TOLERANCES UNLESS NOTED OTHERWISE	
X	± 1mm
X.X	± 0.25mm
X.XX	± 0.1mm
ANGLE	± 1°



Maximum safety. Minimum fuss.

6210S INDIANAPOLIS ROAD  
WHITESTOWN IN 46075 USA  
T +1 317 769 7710  
F +1 317 769 5560  
E sales@fixfastusa.com  
W www.fixfastusa.com

DESCRIPTION KATTSAFE GR31 INTERNAL WALL MOUNT GUARDRAIL		SHT # 1/1
MATERIAL	FINISH	SIZE B
DWG No. FFUSA-1007	FAB No.	REV 3