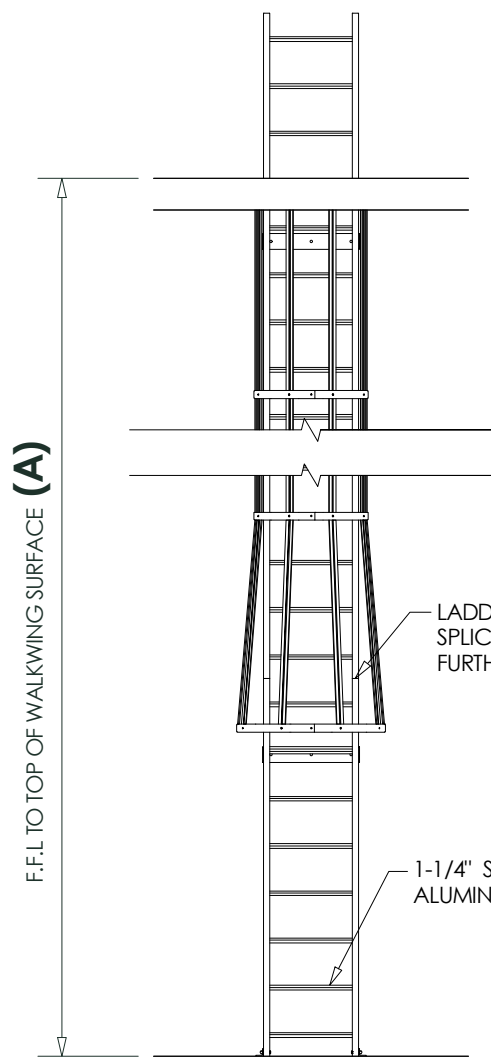


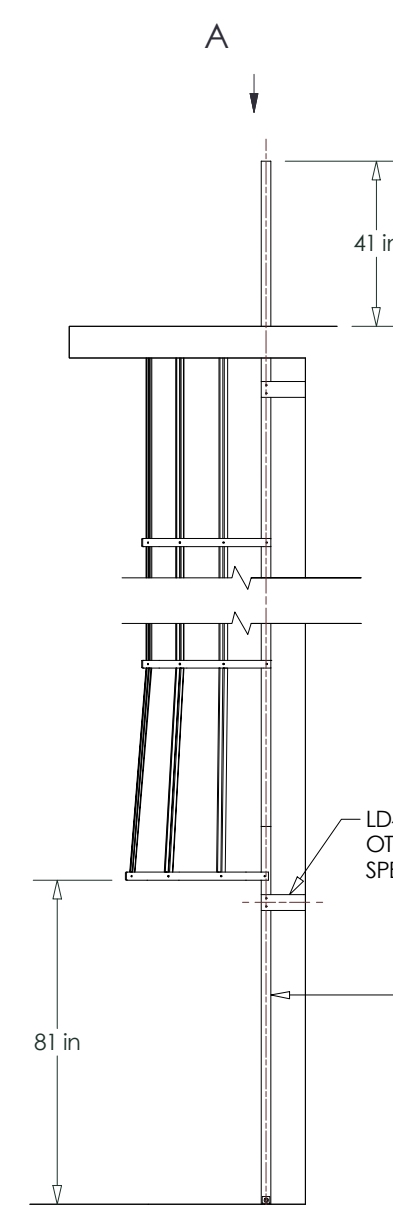
PROJECT REF: \_\_\_\_\_  
 CONTRACTOR: \_\_\_\_\_  
 APPROVED BY: \_\_\_\_\_  
 SIGN HERE: \_\_\_\_\_



FRONT ELEVATION ( 1 / 48 )

LADDER BODY CONNECTED WITH  
 SPLICE JOIN SEE TYP. DETAIL FOR  
 FURTHER INFORMATION

1-1/4" SQ. SERRATED RUNG (TYP)  
 ALUMINUM 6106-T6, WELDED TO STILES

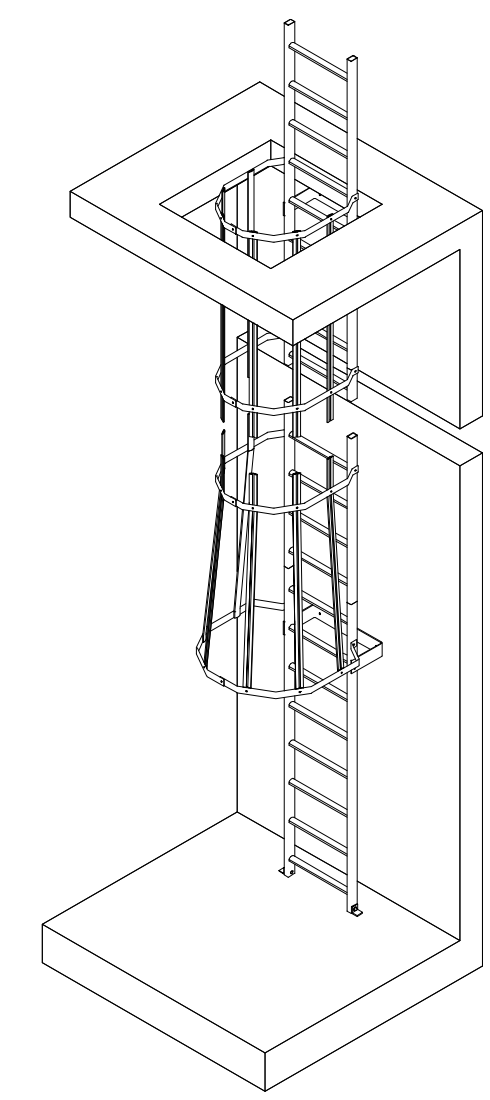


FLOOR SUBSTRATE TYPE (D)

LD419S FLOOR MOUNT BRACKET SHOWN  
 VARIOUS MOUNTING OPTIONS AVAILABLE

LD421280 WALL FIXING BRACKET AS STANDARD  
 OTHER FIXING BRACKETS AVAILABLE TO MEET  
 SPECIFIC APPLICATIONS

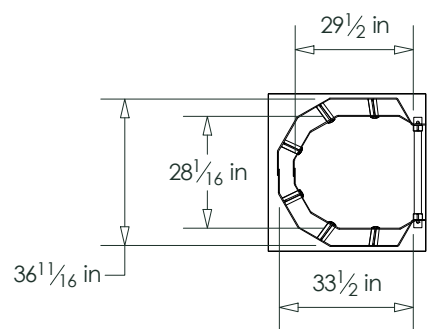
2-1/4" x 1-1/2" x 1/8" LADDER STILE  
 ALUMINUM 6106-T6



- A \_\_\_\_\_  
 LOWER LEVEL TO UPPER LEVEL WALKING/WORKING HEIGHT
- B \_\_\_\_\_  
 WALL SUBSTRATE TYPE (I.E. BRICK, CONCRETE BLOCK, METAL SLIDING, ETC)
- C \_\_\_\_\_  
 WALL TO CENTRELINE OF LADDER. OSHA 1910.23(D)(2) STATES THAT THE  
 DISTANCE FROM THE CENTRELINE OF THE RUNGS TO THE NEAREST  
 PERMANENT OBJECT SHALL NOT BE LESS THAN 7". OSHA ALSO REQUIRES A  
 PLATFORM IF THE DISTANCE EXCEEDS 12". PLEASE STATE WIDTH OF ANY  
 GUTTER OR OBJECT (E.G. GUTTER 9" WIDE). FIXFAST WILL ENSURE THAT THE  
 CORRECT BRACKET IS PROVIDED
- D \_\_\_\_\_  
 FLOOR SUBSTRATE TYPE (I.E. ROOF MEMBRANE, CONCRETE, METAL, ROOF, ETC.)

AVAILABLE LADDER KITS	
CODE	HEIGHTS UP TO
RL41.94	94" (7' 10")
RL41.141	141" (11' 9")
RL41.189	189" (15' 9")
RL41.234	234" (19' 6")
RL41.283	283" (23' 7")
RL41.330	330" (27' 6")
RL41.376	376" (31' 4")
RL41.423	423" (35' 3")
RL41.470	470" (39' 2")

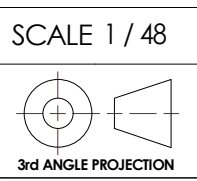
OTHER KITS AVAILABLE



AUX A ( 1 / 48 )

REV	DATE	BY	APP	COMMENTS
1	20/07/2018	RP	JF	ISSUED FOR RELEASE

DRN:	DATE:
RP	20/07/2018
CHK:	DATE:
APP:	DATE:



SCALE 1 / 48	
DIMENSION TOLERANCES UNLESS NOTED OTHERWISE	
X	± 1mm
X.X	± 0.25mm
X.XX	± 0.1mm
ANGLE	± 1°



6210S INDIANAPOLIS ROAD  
 WHITESTOWN IN 46075 USA  
 T +1 317 769 7710  
 F +1 317 769 5560  
 E sales@fixfastusa.com  
 W www.fixfastusa.com

DESCRIPTION		SHT #
RL44 CAGED VERTICAL LADDER		1 / 1
MATERIAL	FINISH	SIZE
		B
DWG No.	FAB No.	REV
FFUSA-1026		1