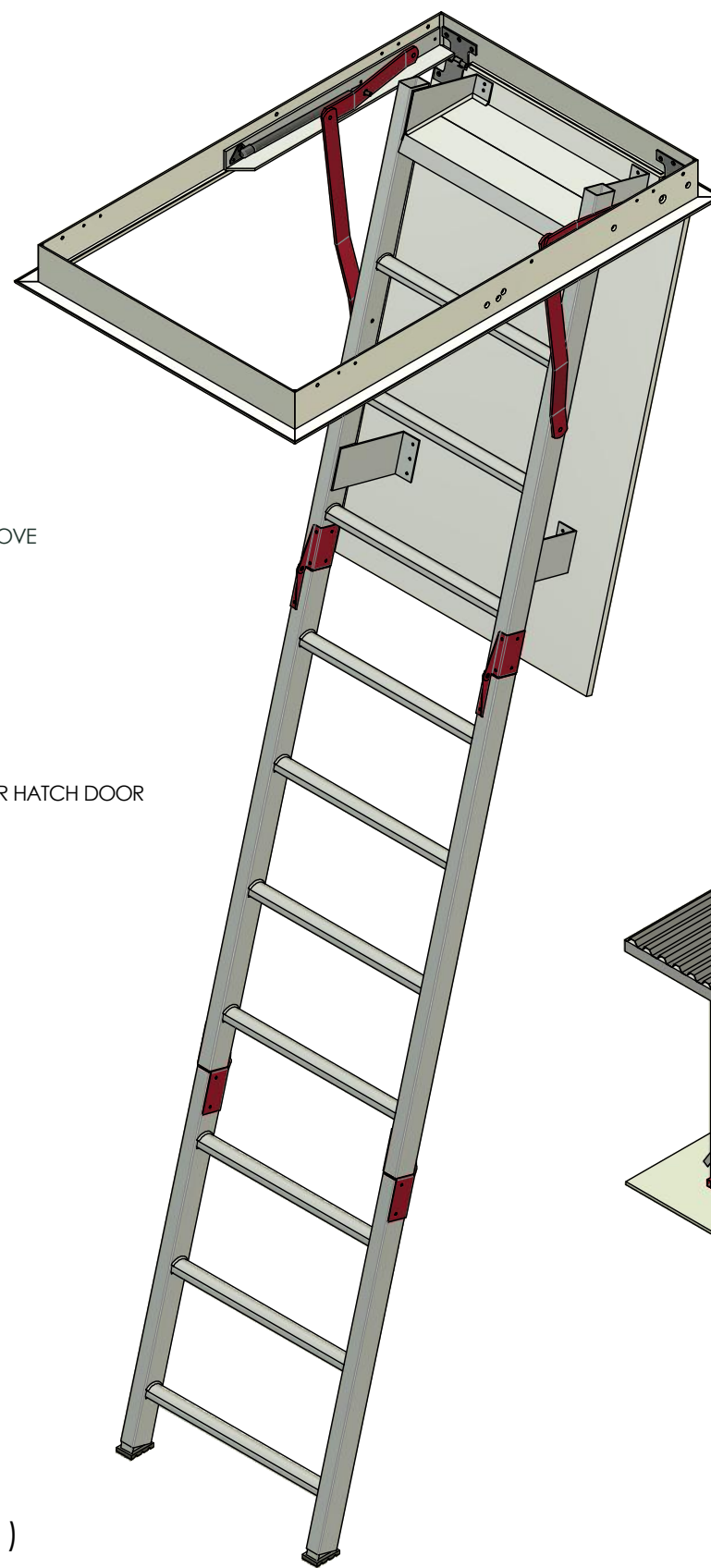
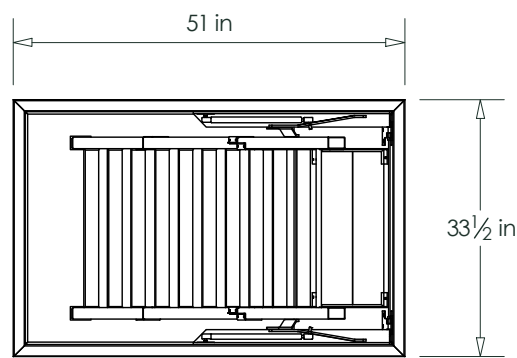
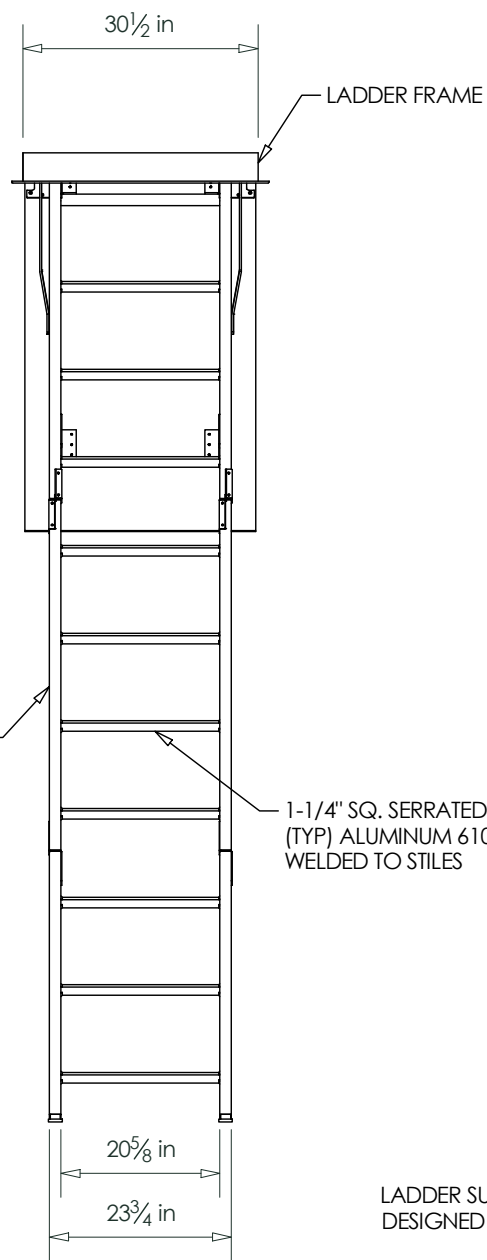


FOLD DOWN LADDER FRAME TYPICALLY MOUNTS INTO SUSPENSION KIT (SOLD SEPARATELY). THE SUSPENSION KIT MOUNTS TO THE ROOF STRUCTURE ABOVE AND HOLDS THE FOLD DOWN LADDER FRAME IN PLACE. VARIOUS SUSPENSION KITS AVAILABLE TO ACCOMMODATE VARYING CEILING HEIGHT



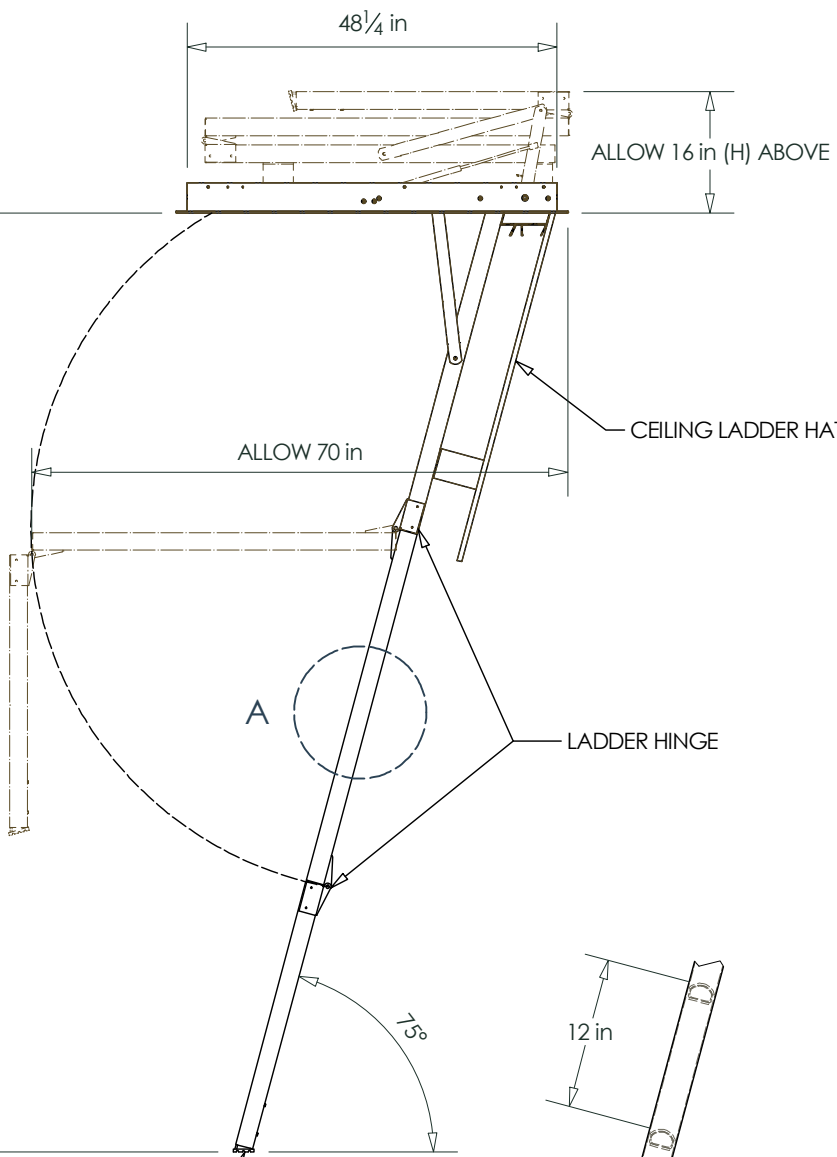
PROJECT REF: _____
 CONTRACTOR: _____
 APPROVED BY: _____
 SIGN HERE: _____



LADDER FRAME

ALUMINUM EXTRUDED STILE
 GRADE 6106-T6
 2-1/4" X 1-1/2" X 1/8"

1-1/4" SQ. SERRATED RUNG
 (TYP) ALUMINUM 6106-T6.
 WELDED TO STILES



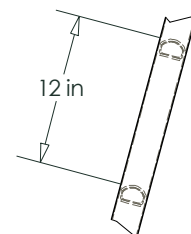
ALLOW 16 in (H) ABOVE

CEILING LADDER HATCH DOOR

ALLOW 70 in

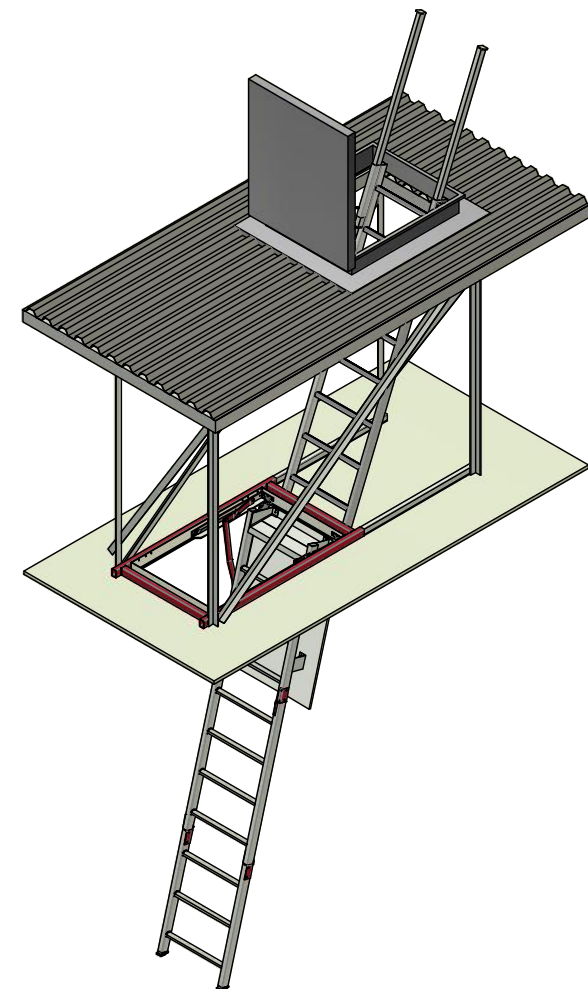
LADDER HINGE

10FT MAX



DETAIL A (1 : 15)

LADDER SUPPLIED IN KIT FORM. THE LADDER BASE IS DESIGNED TO BE CUT TO REQUIRED HEIGHT ON SITE



REV	DATE	BY	APP	COMMENTS
2	1/05/2019	SW	RP	NOTES ADDED
1	23/11/2018	SW	RP	RE-DRAWN IN INVENTOR

DRN:	DATE:
SW	23/11/2018
CHK:	DATE:
RP	16/04/2019
APP:	DATE:
RP	16/04/2019

SCALE 1 : 25

DIMENSION TOLERANCES UNLESS NOTED OTHERWISE

X	± 1mm
X.X	± 0.25mm
X.XX	± 0.1mm
ANGLE	± 1°

3921 PERRY BOULEVARD
 WHITESTOWN IN 46075 USA
 T +1 317 769 7710
 F +1 317 769 5560
 E sales@fixfastusa.com
 W www.fixfastusa.com

Maximum safety. Minimum fuss.
 THIS DRAWING REMAINS THE PROPERTY OF FIXFAST USA® AND MAY NOT BE CHANGED WITHOUT WRITTEN PERMISSION

DESCRIPTION KATTClimb COMMERCIAL FOLD DOWN LADDER		SHT # 1/1
MATERIAL	FINISH	SIZE B
DWG No. RL62	FAB No.	REV 2