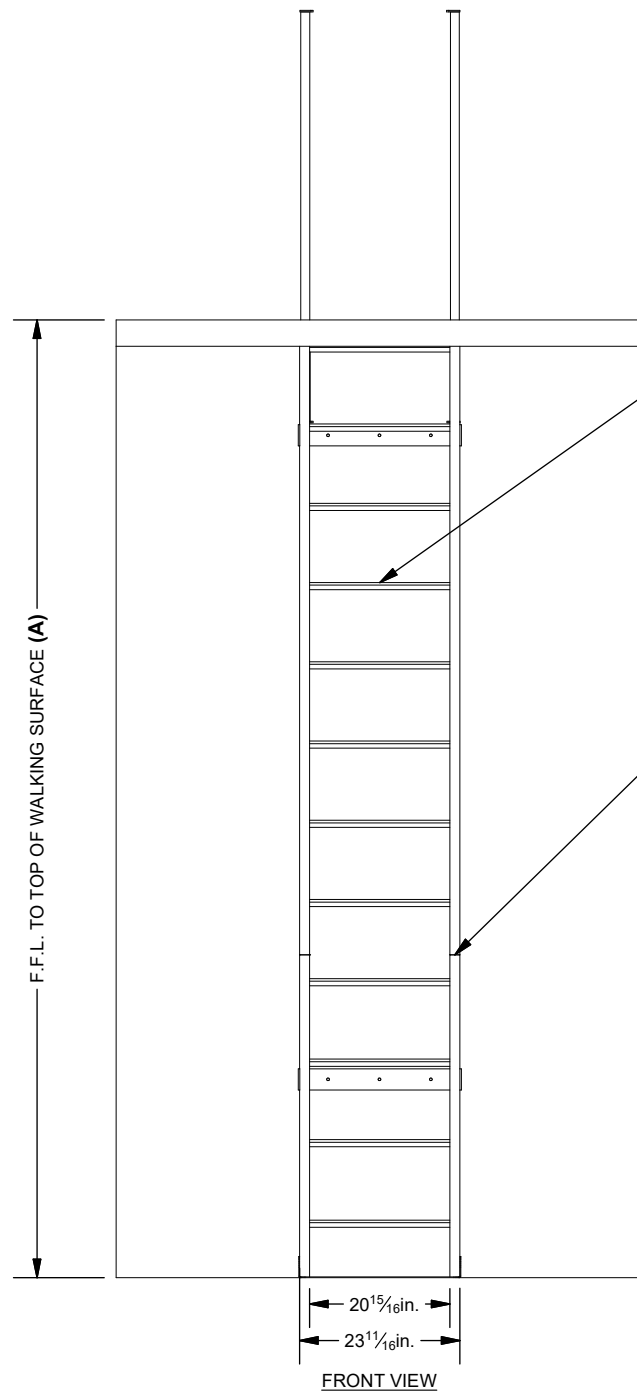


PROJECT REF: _____
 CONTRACTOR: _____
 APPROVED BY: _____
 SIGN HERE: _____

AVAILABLE LADDER KITS	
CODE	HEIGHTS UP TO
RL34.094	94in (7ft,10in)
RL34.141	141in (11ft,9in)
RL34.188	188in (15ft,8in)
RL34.235	235in (19ft,7in)
RL34.282	282in (23ft,6in)



FRONT VIEW

1-1/4in SQ SERRATED RUNG (TYP)
 ALUMINUM 6106-T6, WELDED TO STILES

LD421.280 WALL FIXING BRACKET AS STANDARD
 OTHER FIXING BRACKETS AVAILABLE TO MEET
 SPECIFIC APPLICATIONS

LADDER BODY CONNECTED WITH
 SPLICE JOINT SEE TYP. DETAIL FOR
 FURTHER INFORMATION

LADDER SUPPLIED IN KIT FORM. LADDER BASE IS DESIGNED TO BE
 CUT TO REQ. HEIGHT ON-SITE. TOP RUNG MUST BE LEVEL WITH
 WALKING/WORKING SURFACE OR PLATFORM

LD419F NON-PENETRATING BASE PLATE
 OTHER MOUNTING OPTIONS AVAILABLE

RETRACTABLE STILES ALUMINUM 6106-T6
 2-1/4in x 1-1/2in x 1/8in
 NOTE: SHOWN IN 'OPEN POSITION'

WALL SUBSTRATE TYPE (B)

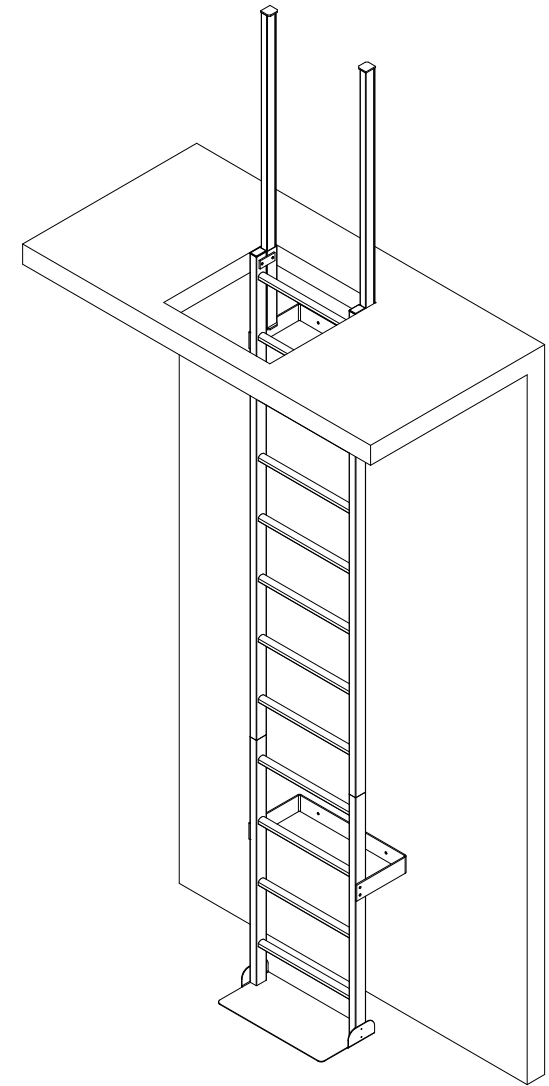
EQUAL SPACING (MAX 96in CNTRS)

23 1/16 in.

TOP VIEW

FLOOR SUBSTRATE TYPE (D)

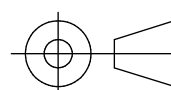
WALL TO ϵ OF LADDER (C)



- A** _____
LOWER LEVEL TO UPPER LEVEL WALKING/WORKING HEIGHT
- B** _____
WALL SUBSTRATE TYPE (I.E BRICK, CONCRETE BLOCK, METAL SIDING, ETC)
- C** _____
WALL TO CENTERLINE OF LADDER. OSHA 1910.23(D)(2) STATES THAT THE DISTANCE FROM THE CENTERLINE OF THE RUNGS TO THE NEAREST PERMANENT OBJECT SHALL NOT BE LESS THAN 7in. OSHA ALSO REQUIRES A PLATFORM IF THE DISTANCE EXCEEDS 12in. PLEASE STATE WIDTH OF ANY GUTTER OR OBJECT (E.G. GUTTER 9in WIDE). FIXFAST WILL ENSURE THAT THE CORRECT BRACKET IS PROVIDED
- D** _____
FLOOR SUBSTRATE TYPE (I.E. ROOF MEMBRANE, CONCRETE, METAL ROOF, ETC.)

DRN:	DATE:
SJC	03/11/2022
CHK:	DATE:
END	
APP:	DATE:
WJL	

SCALE 1 / 48



3rd ANGLE PROJECTION

UNTOLERANCED DIMENSIONS		
DIMENSION	DIAMETER	LENGTH
0 - 250mm	± 0.25mm	± 0.5mm
250 - 750mm	± 0.50mm	± 1.0mm
> 750mm	± 0.75mm	± 1.5mm



Maximum safety. Minimum fuss.

THIS DRAWING REMAINS THE PROPERTY OF FIXFAST USA® AND MAY NOT BE CHANGED WITHOUT WRITTEN PERMISSION

3921 Perry Blvd.
 Whitestown, IN. 46077
 T +1 888 637 7872
 E sales@fixfastusa.com
 W www.fixfastusa.com

DESCRIPTION		STANDARD ACCESS LADDER	SHT #
			1/1
MATERIAL	FINISH	ALUMINUM	MILL FINISH
DWG No.	PRODUCT CODE	202203-77	RL34
			REV
			01

01	03/11/2022	SJC	WJL	ISSUED FOR RELEASE COMMENTS
REV	DATE	BY	APP	